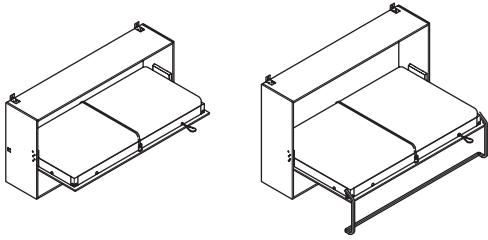




Teleletto Style/Comfort/Exclusive

271.91.561 271.91.564
 271.91.562 271.91.565
 271.91.563



mm / in

A 2x

B **C**

D 2x

E **F**

X 2x

M 2x

S 2x

T 4x **p** 8x

R₁

P 6x **Q** 4x **R** 2x **n** 2x **O** 2x **k** 2x **m** 2x

R₂

R₃ **R₄**

R₅ 2x **R₆** **R₇** 2x

b 6x **c** 12x **d** 16x **e** 16x **U** IS45 **z** 16x **H** 20x

4,5x17 0.18x0.67 4,5x50 0.18x1.97

Single **+** **Queen**

d 10x **e** 10x

Z 2x

h 2x

s **v** 2x **w** 4x **t** **u**

M8x20

z 8x **Y** **p** 8x

4,5x17 0.18x0.67

732.22.288

[WS48]

HDE 27.03.2024

+
mm / in

3/5/10/16 mm
0.12/0.20/0.40/0.63 in

IS20
0.79

SW5/8
0.20/0.31

i
mm / in

+

T	H
460/18.11	≤230/9.06
500/19.69	≤300/11.81

	Single	Double	Queen
a	16	17	24
b	22	30	34
c	2,5	2,9	3,1
d	29	37	43
e	14	15	18
f	7	9	11

1



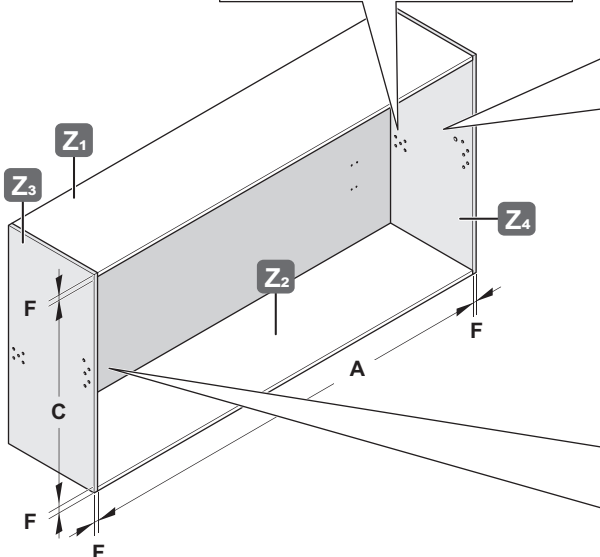
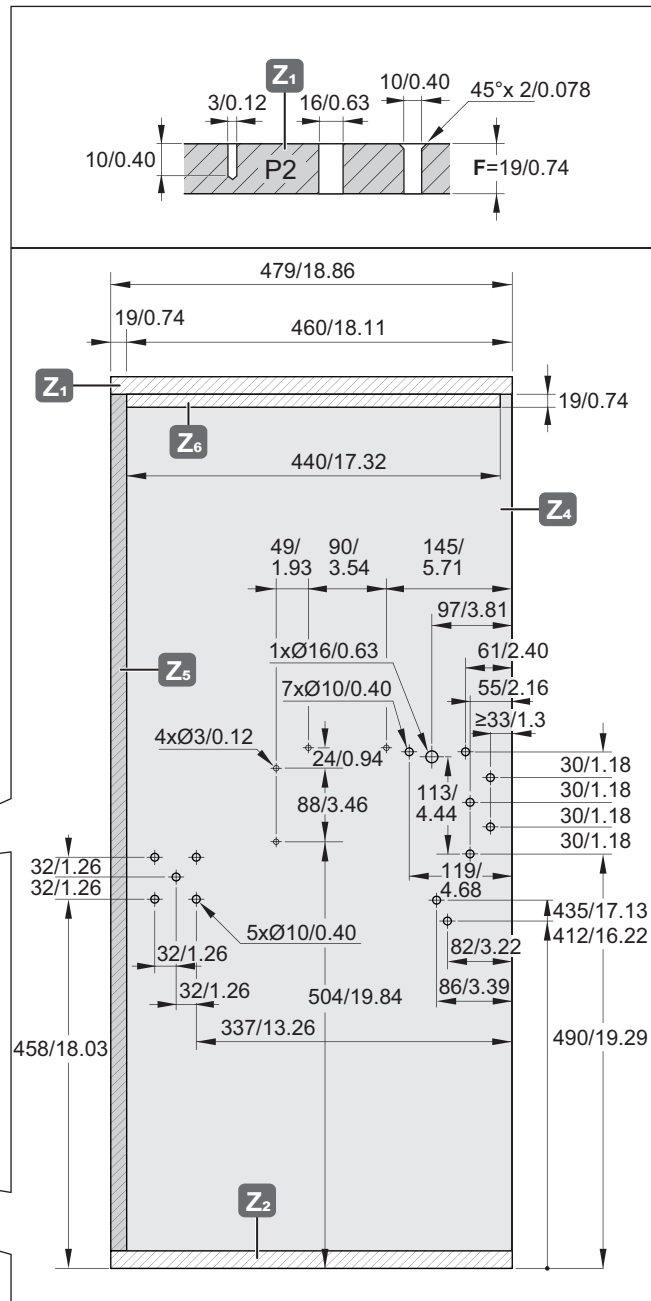
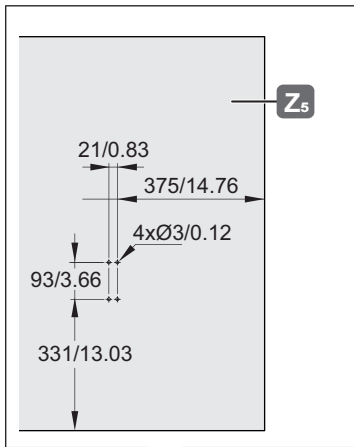
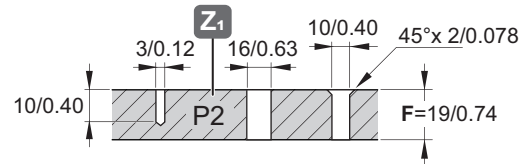
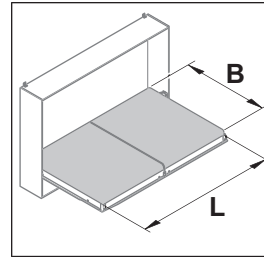
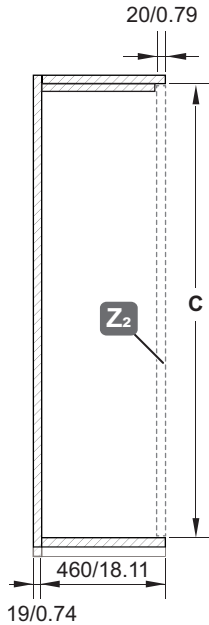
10 mm
0.39 in

16 mm
0.63 in

3 mm
0.13 in



mm/in	B	L	C	A	D	E	F
Single	1000 / 39.37	1900 / 74.80	1107 / 43.58	1986 / 78.18	1097 / 43.19	1976 / 77.80	19 / 0.74
Double	1370 / 53.93	1900 / 74.80	1477 / 58.14	1986 / 78.18	1467 / 57.75	1976 / 77.80	19 / 0.74
Queen	1530 / 60.23	2030 / 79.92	1637 / 64.45	2116 / 83.30	1627 / 64.05	2106 / 82.91	19 / 0.74



732.22.288

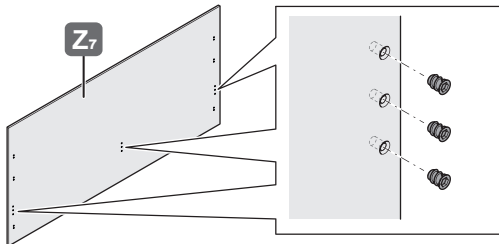
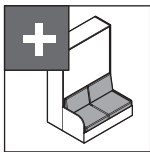
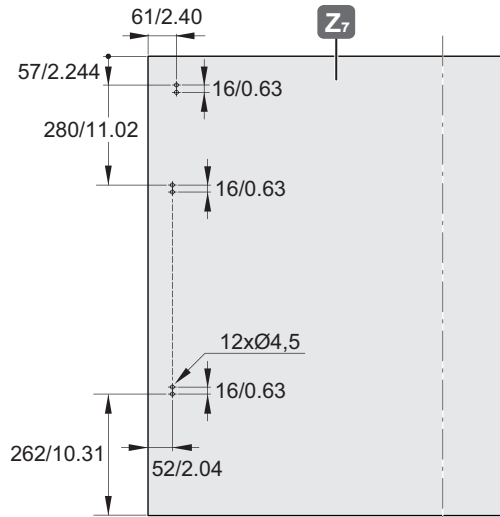
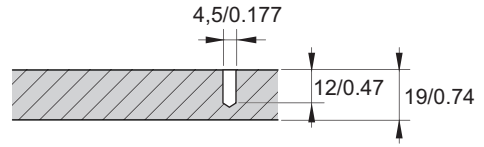
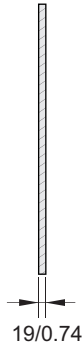
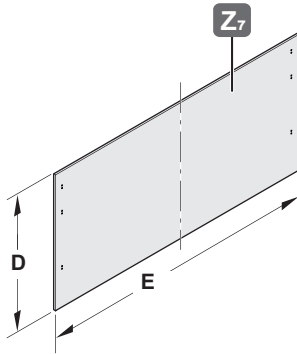
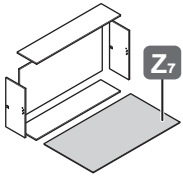
[WS48]

HDE 27.03.2024

2



4,5 mm
0.177 in

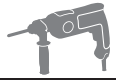


732.22.285

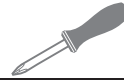


www.hafele.com.de/ins-doc-04744833

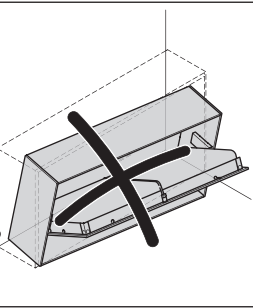
3



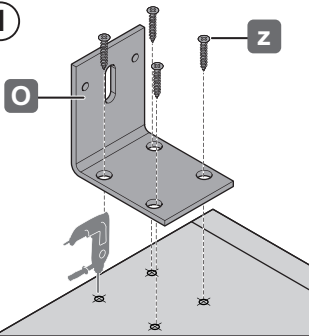
5 mm
0.20 in



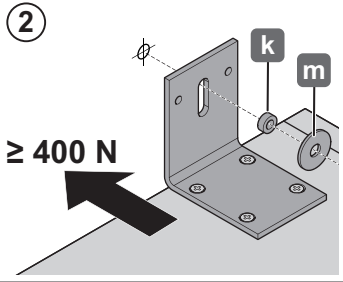
i



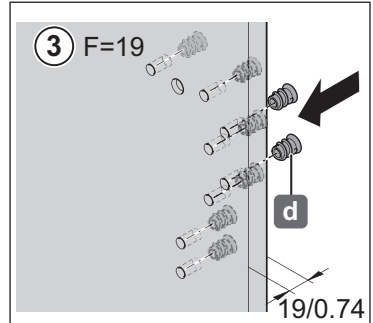
1



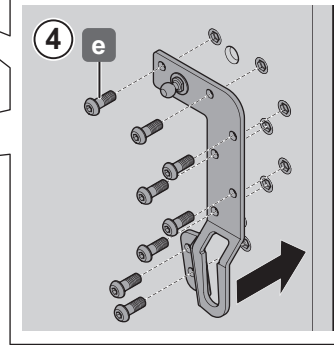
2



3 F=19



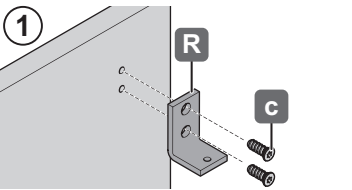
4



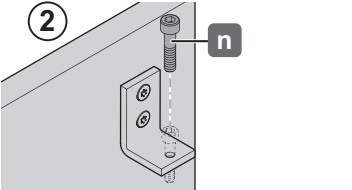
4



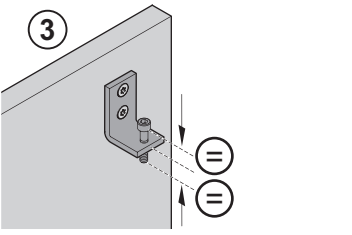
1



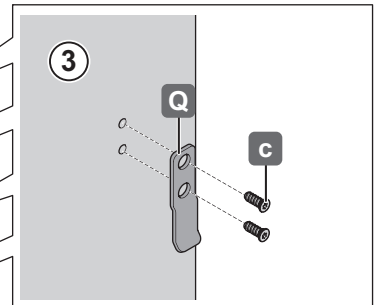
2



3



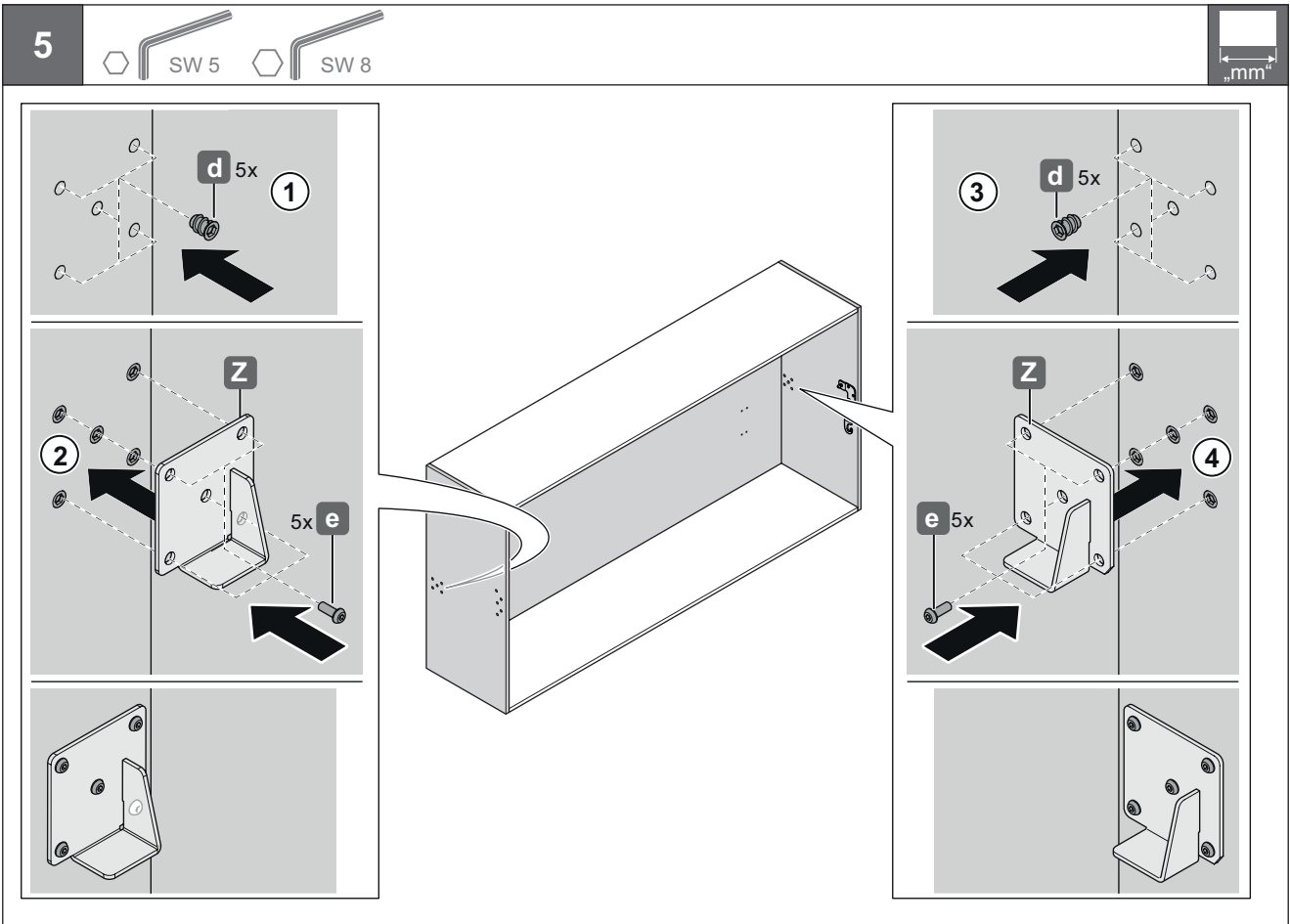
3



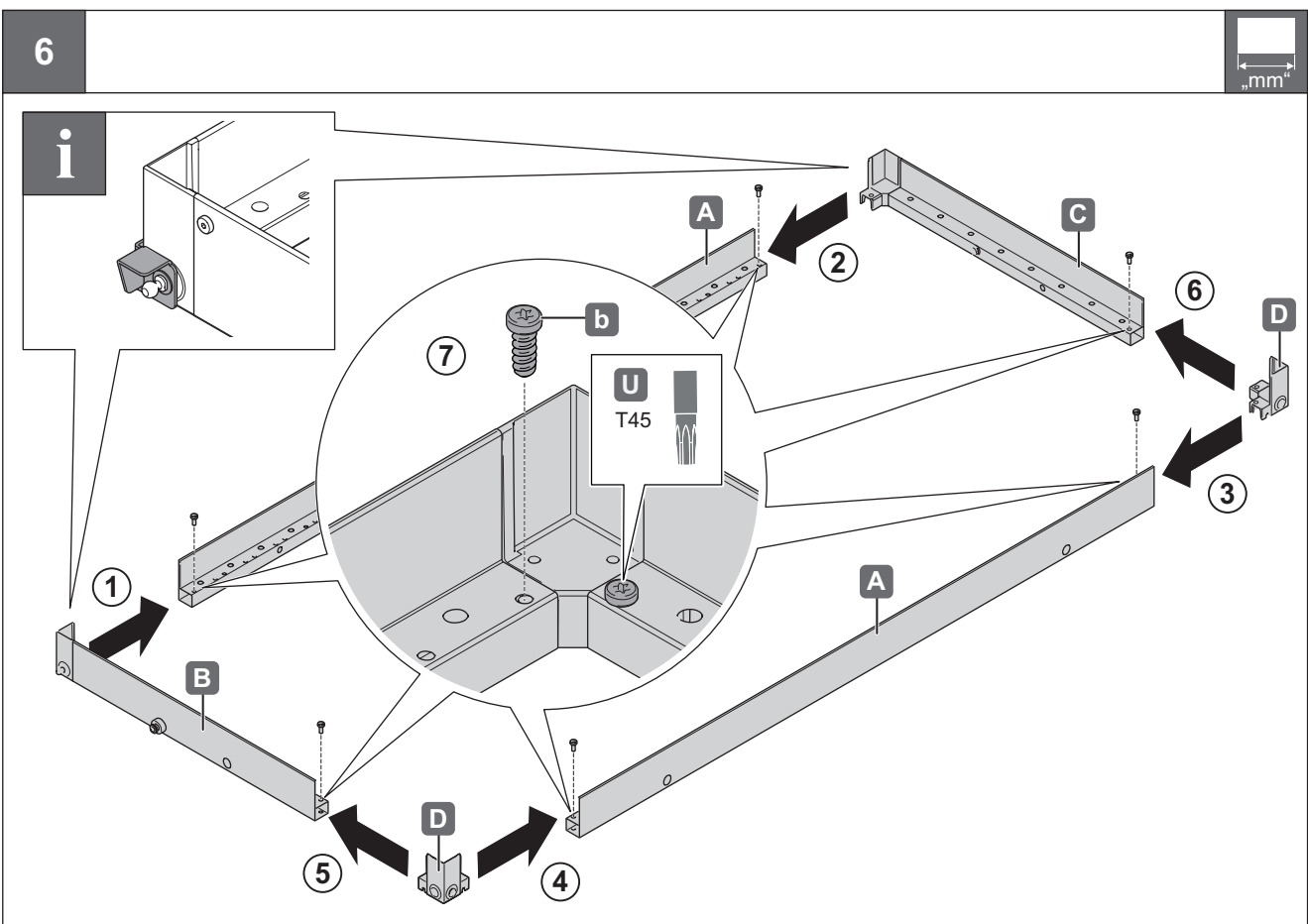
732.22.288

[WS48]

HDE 27.03.2024



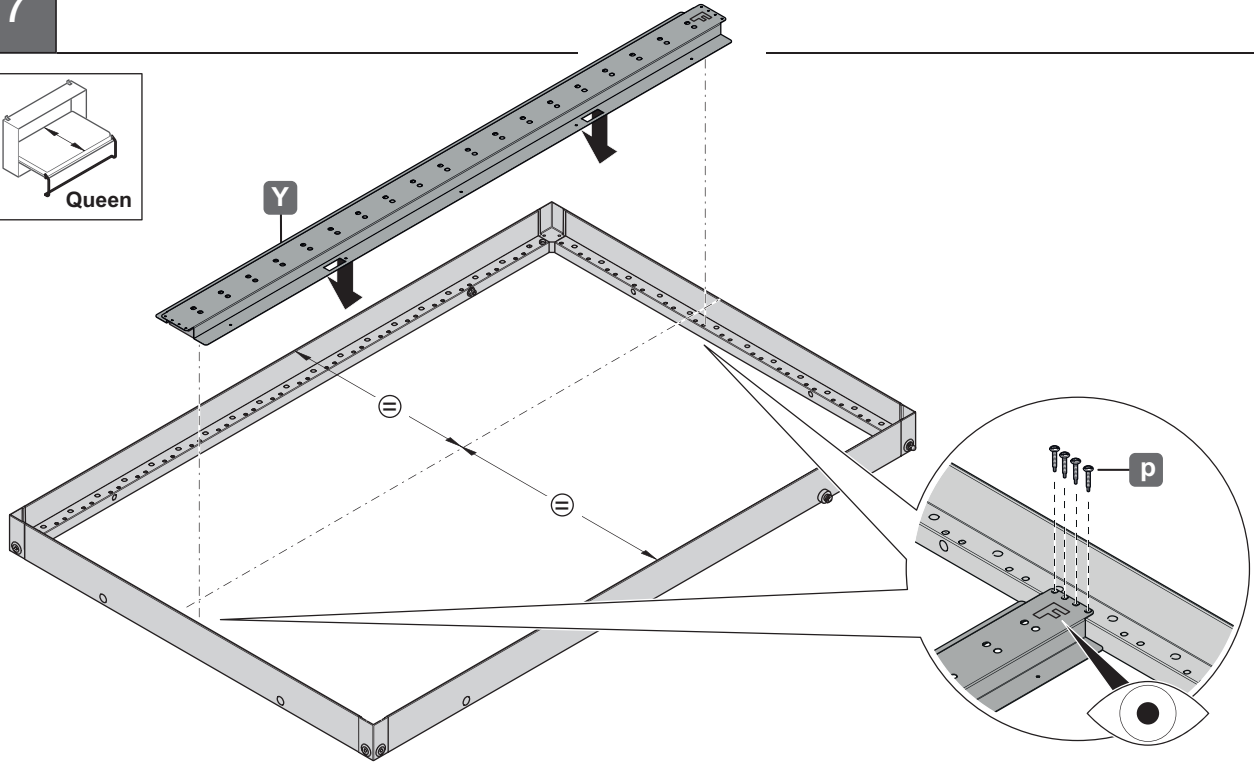
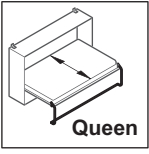
732.22.288



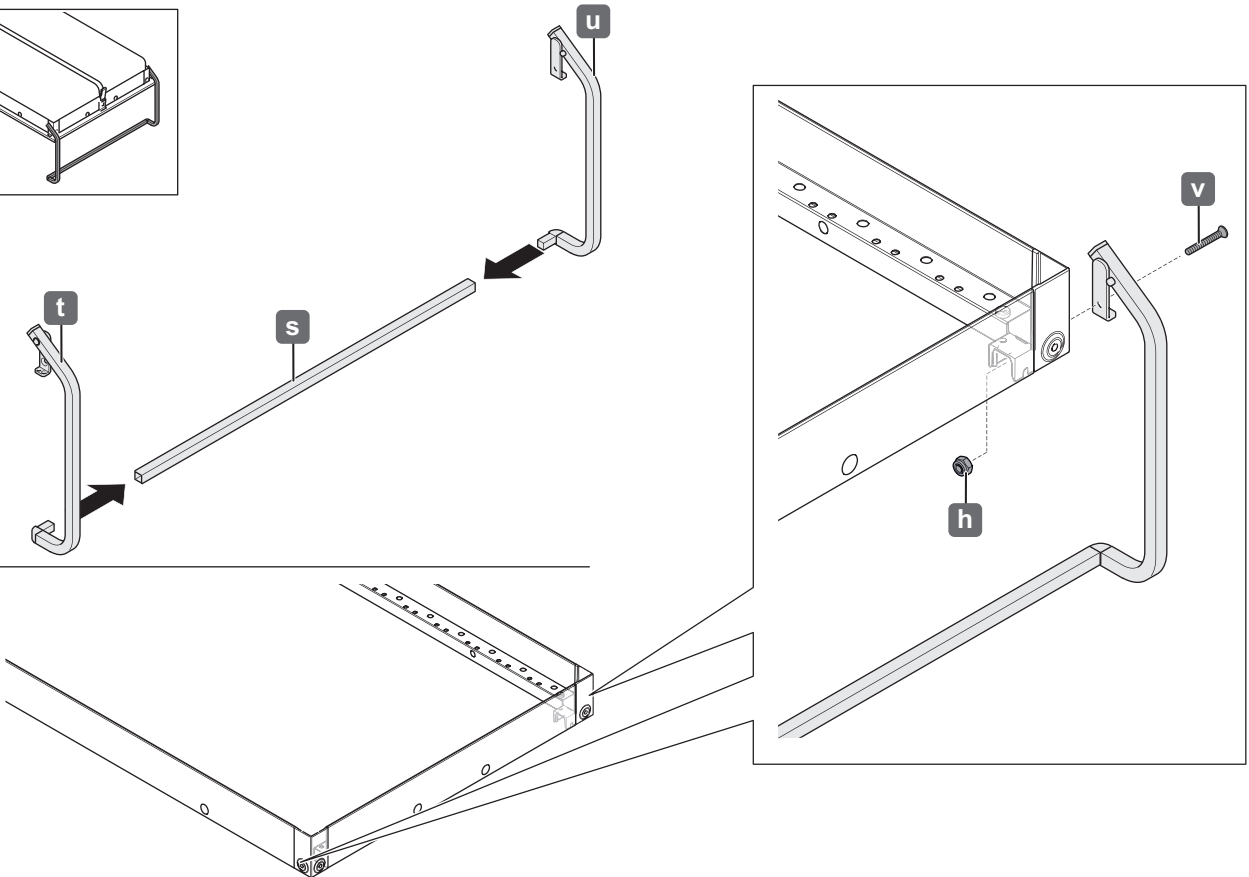
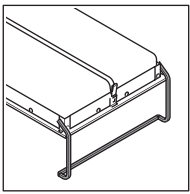
[WS48]

HDE 27.03.2024

7



8



732.22.288

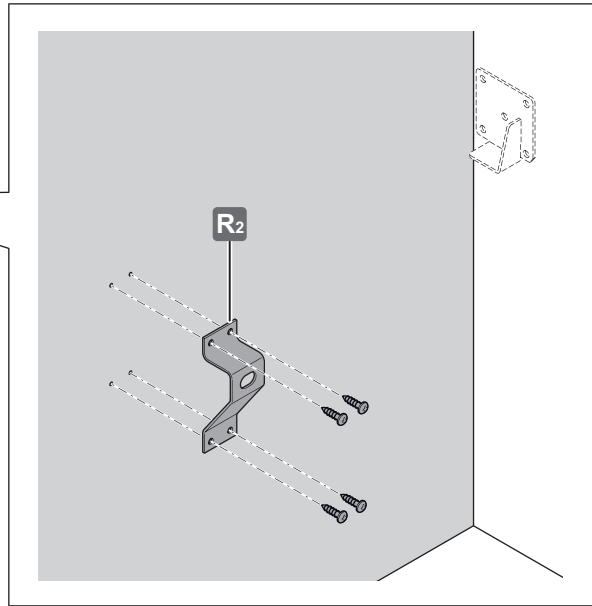
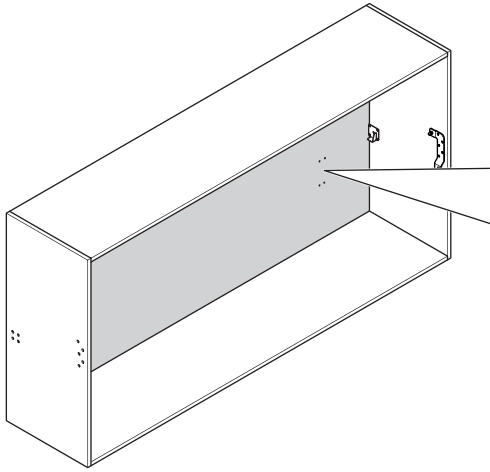
[WS48]

HDE 27.03.2024

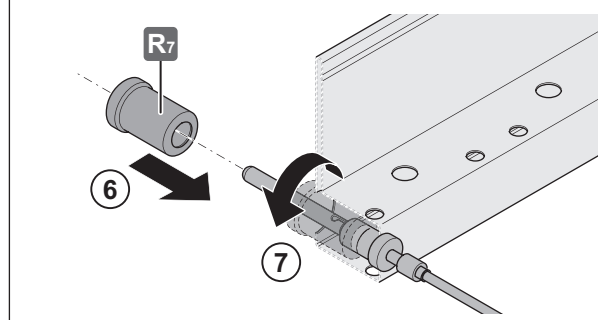
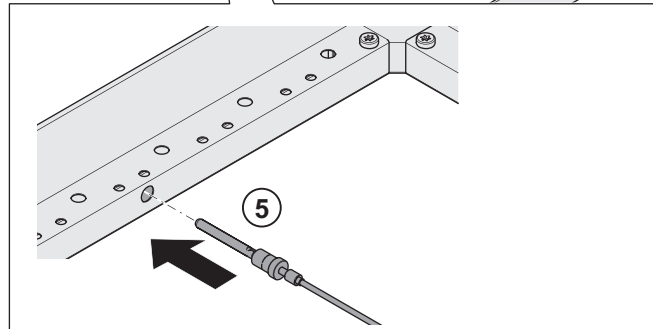
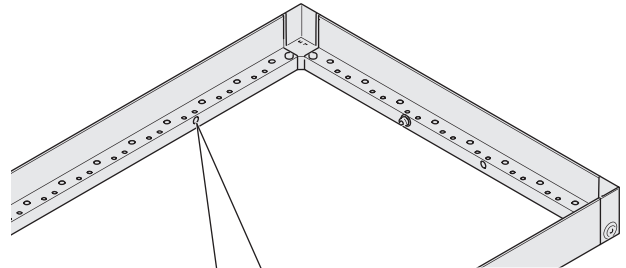
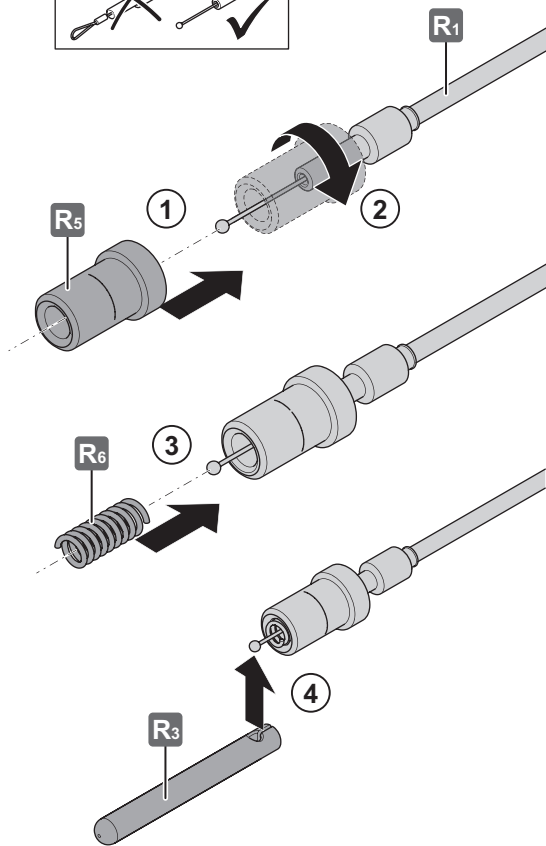
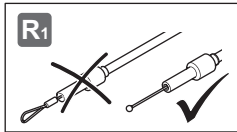
9



PZ 2



10

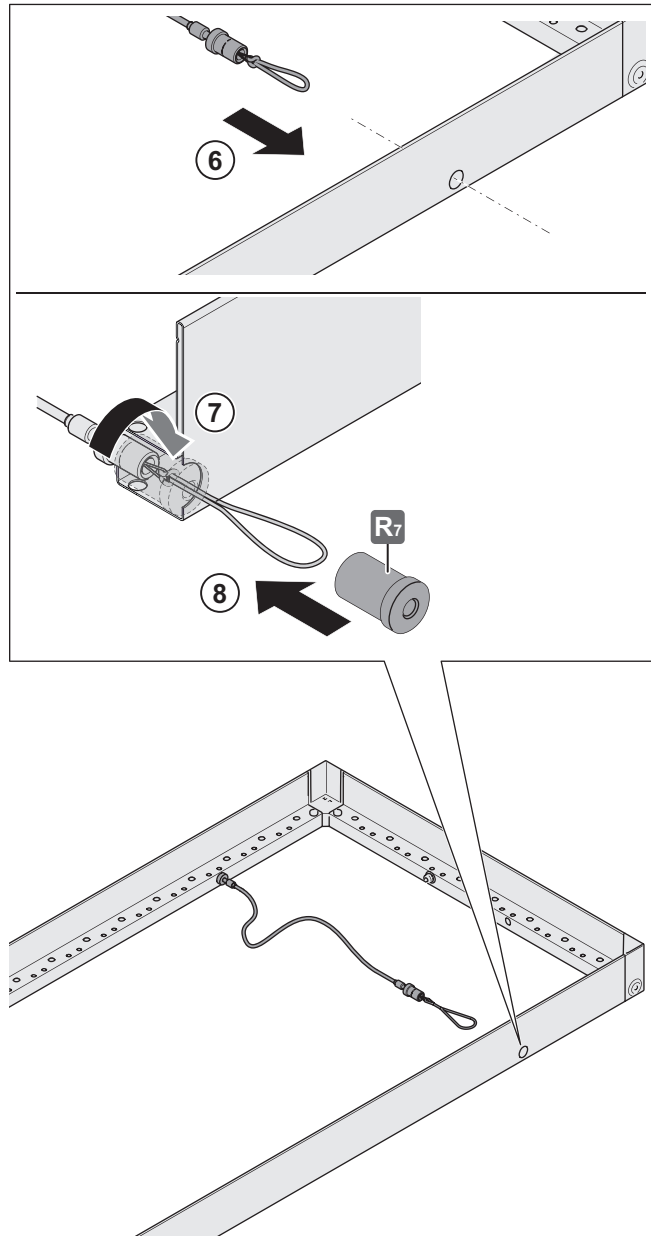
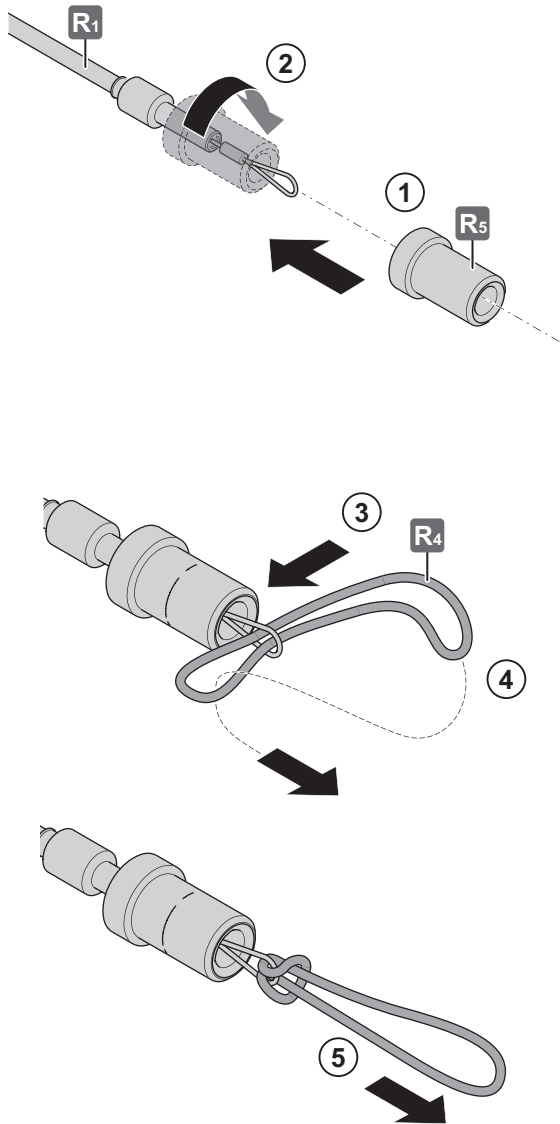


732.22.288

[WS48]

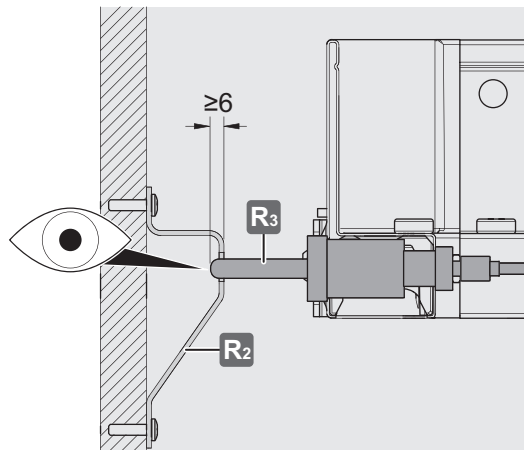
HDE 27.03.2024

11



732.22.288

i

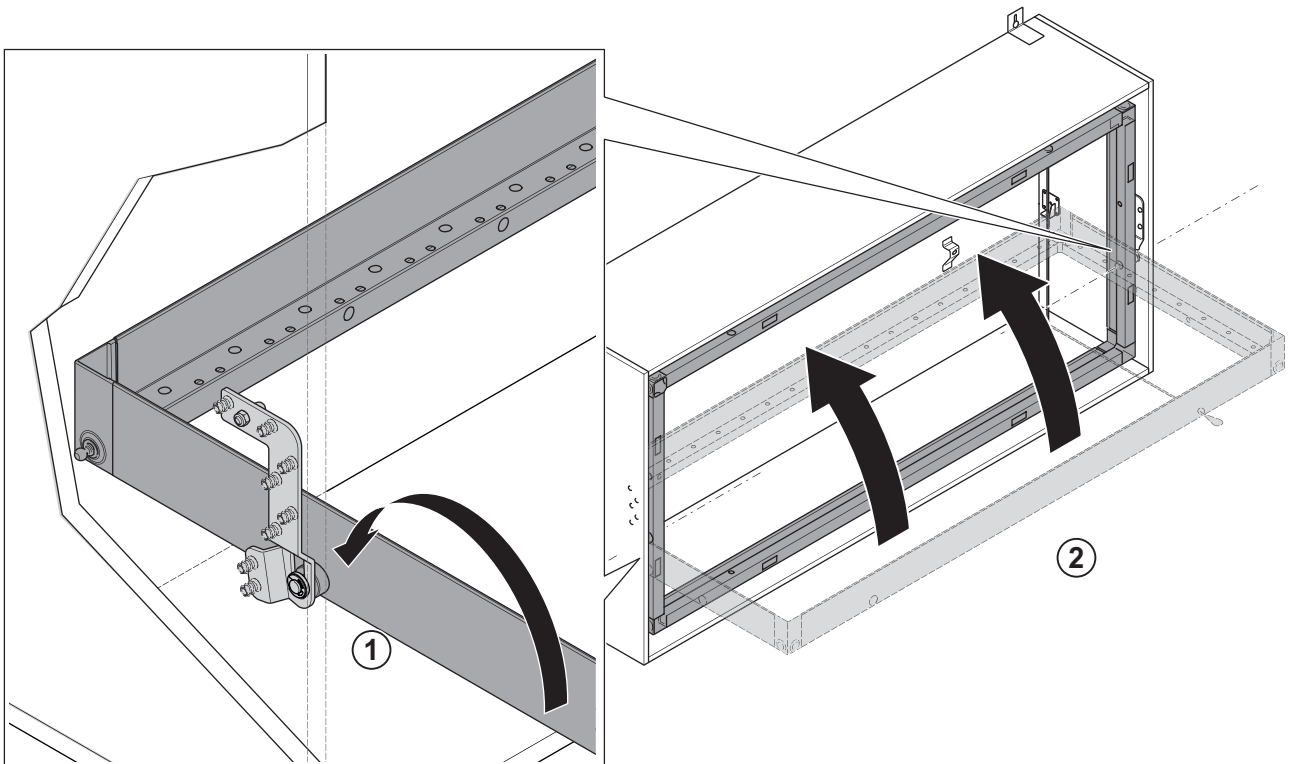


mm

[WS48]

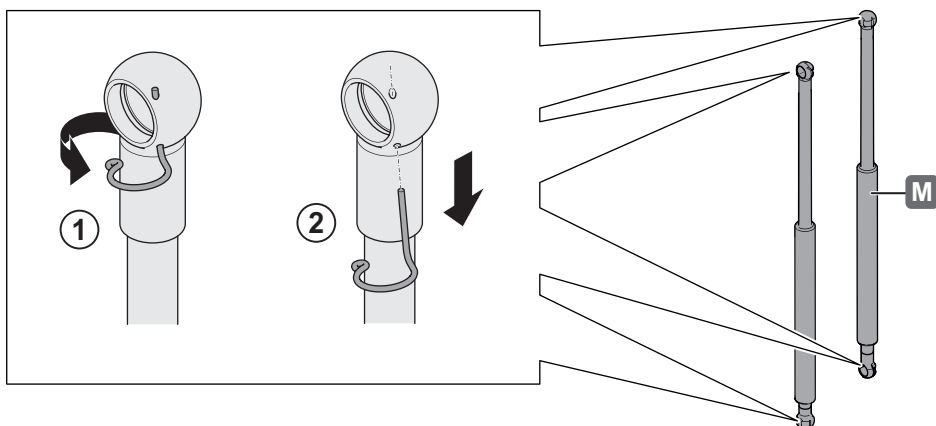
HDE 27.03.2024

12



732.22.288

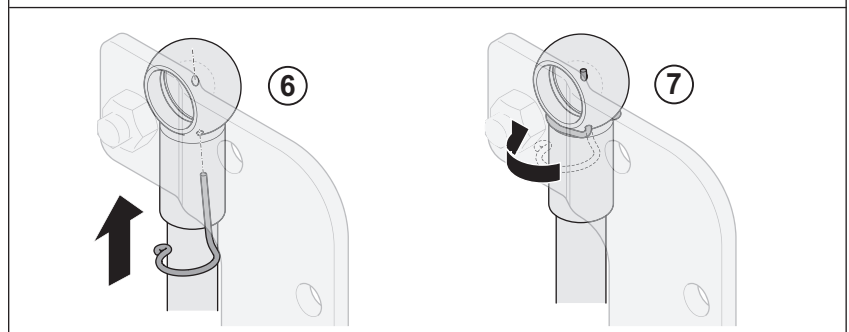
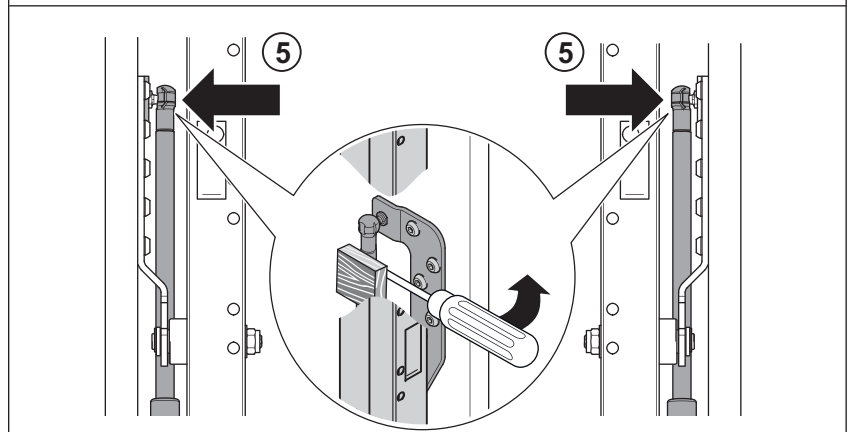
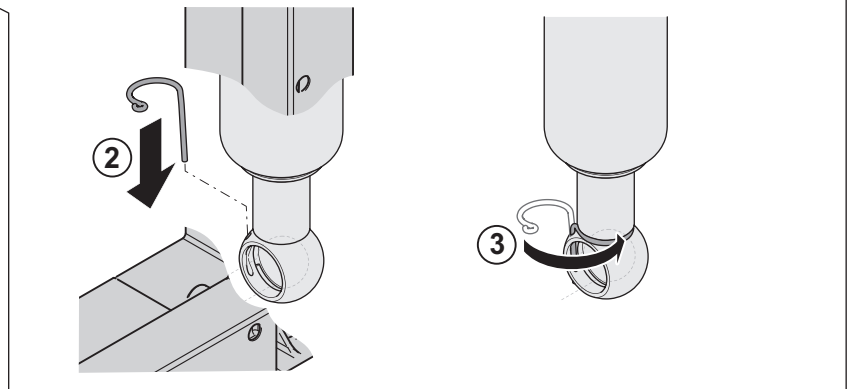
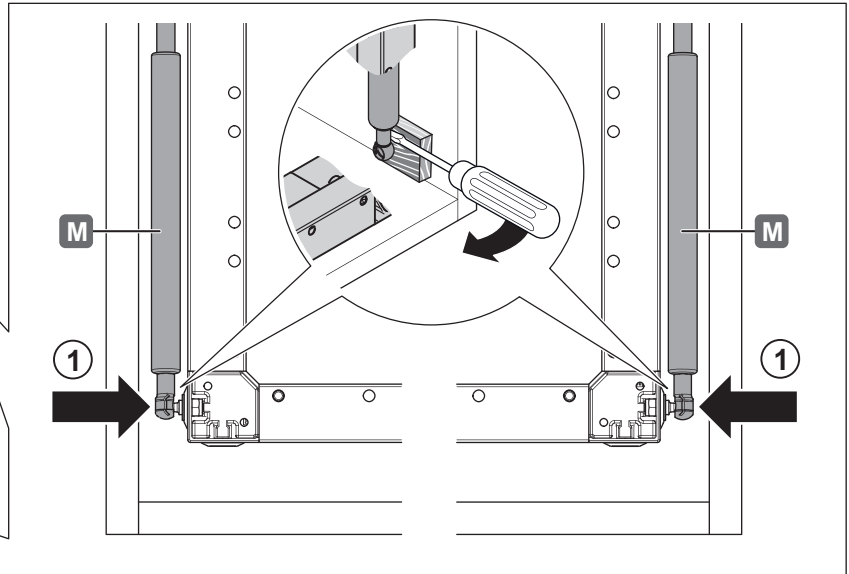
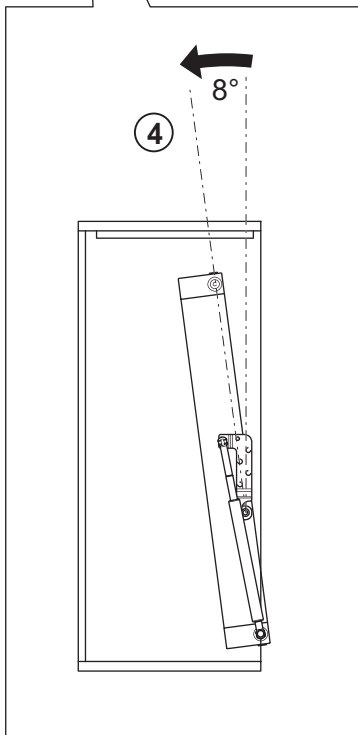
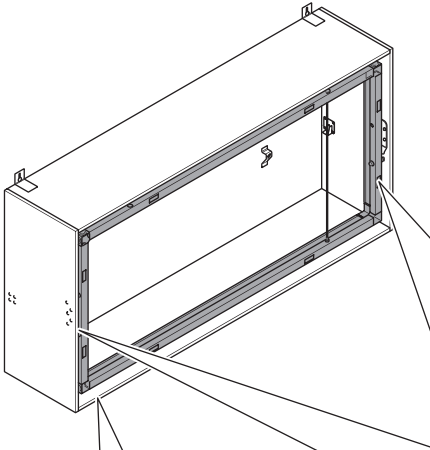
13



[WS48]

HDE 27.03.2024

14



732.22.288

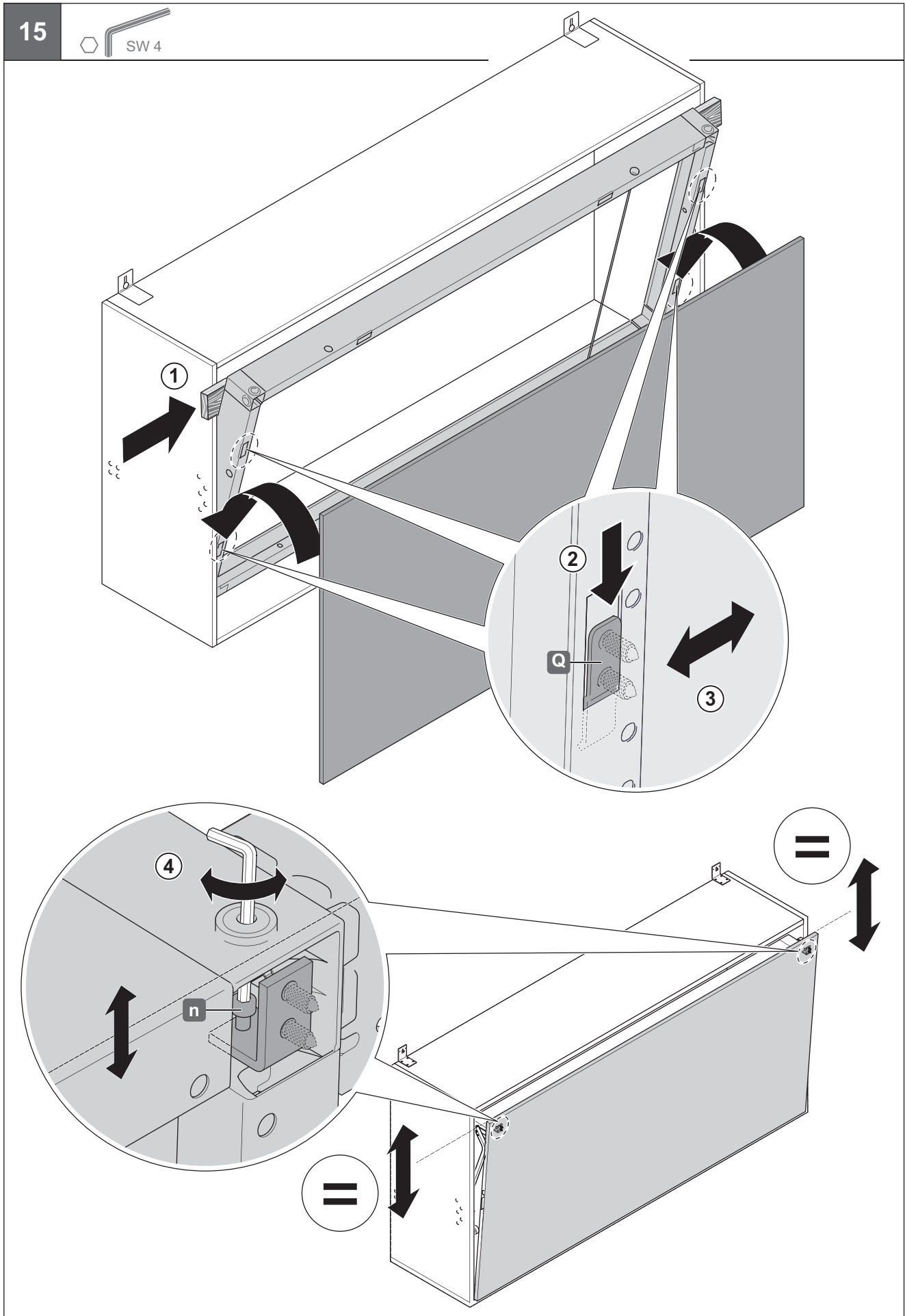
[WS48]

HDE 27.03.2024

15



SW 4

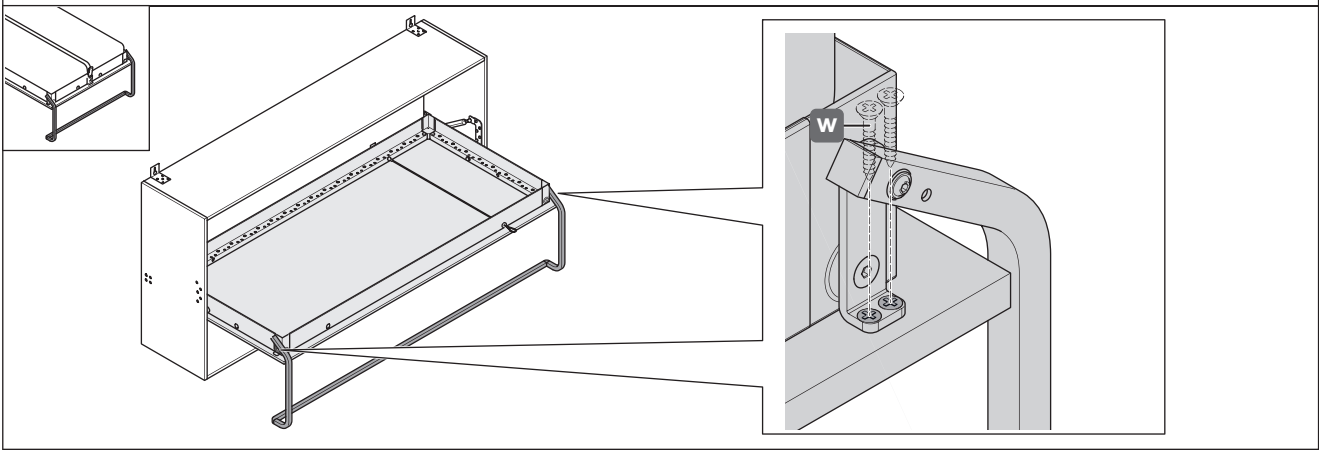
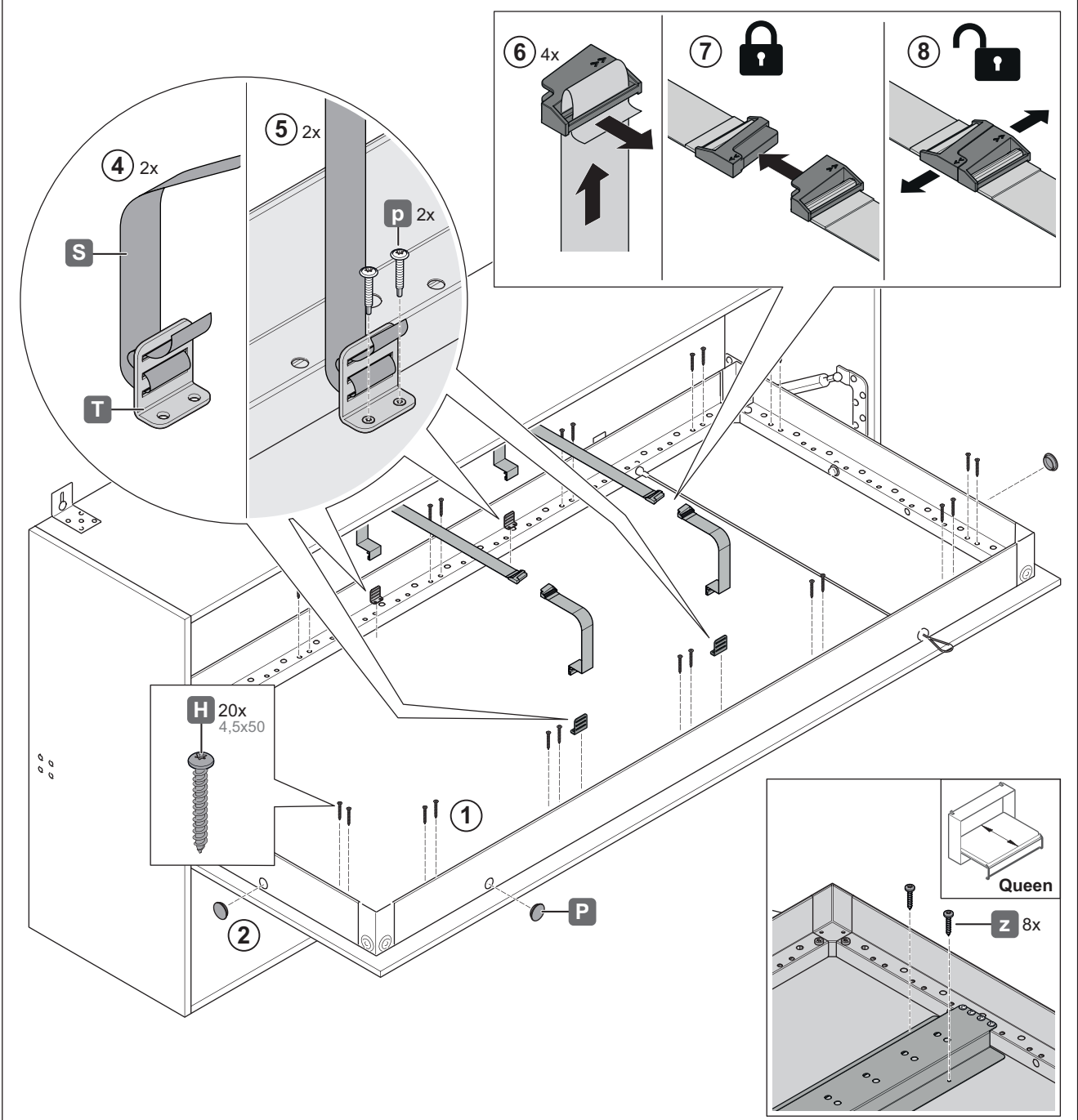


732.22.288

[WS48]

HDE 27.03.2024

16

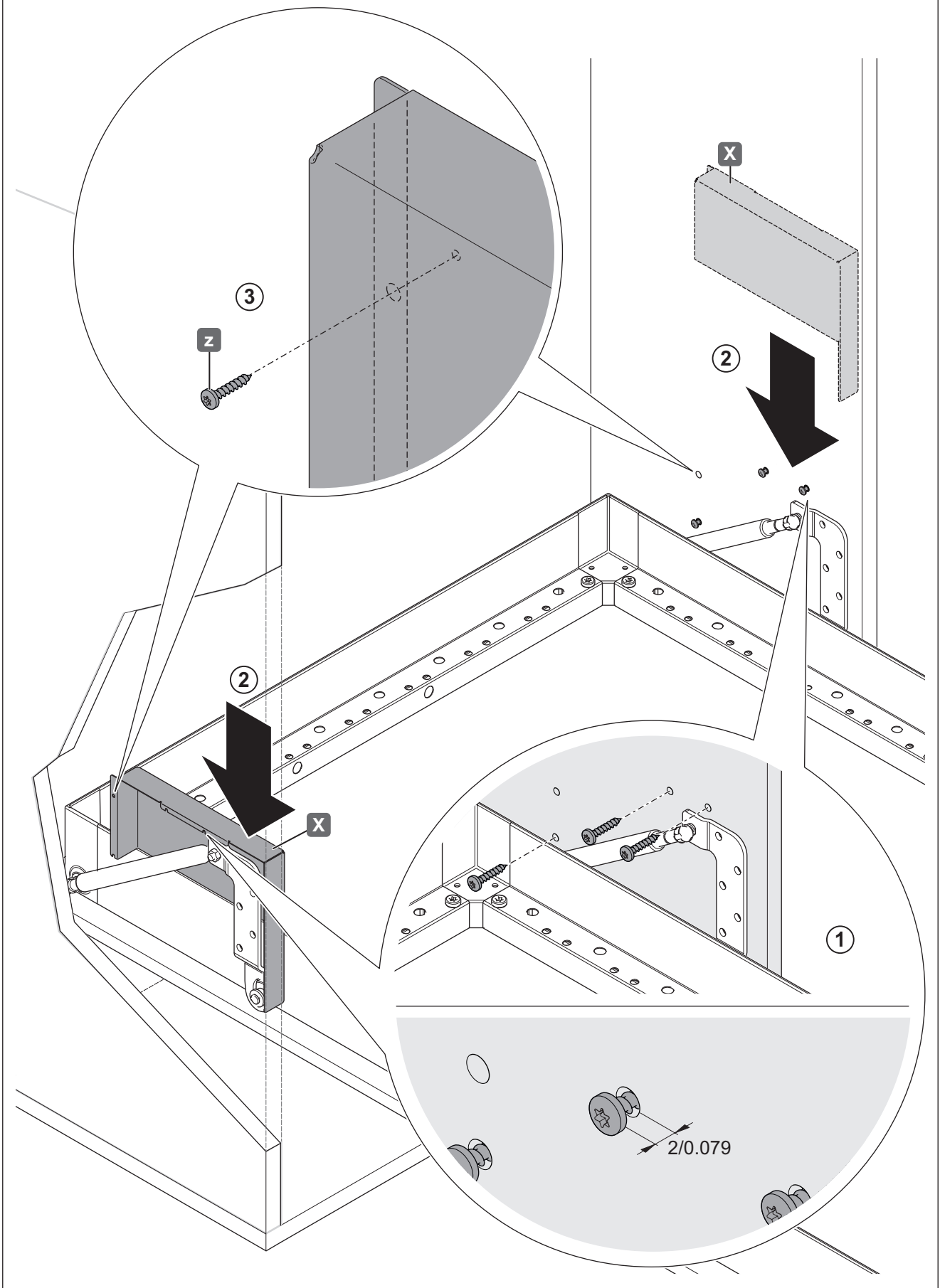


732.22.288

[WS48]

HDE 27.03.2024

17

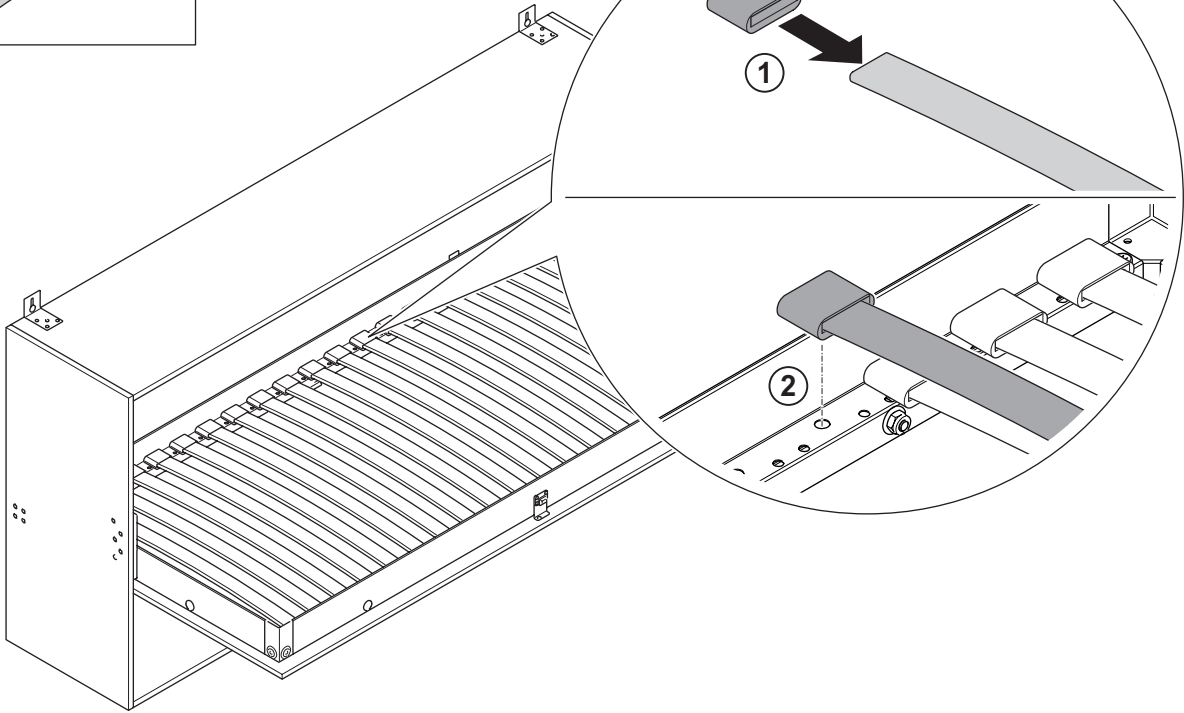
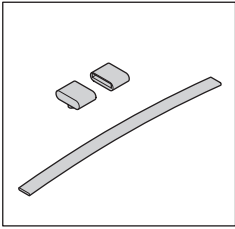


732.22.288

[WS48]

HDE 27.03.2024

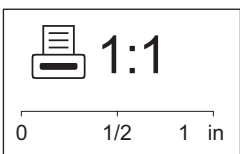
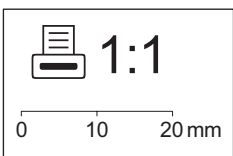
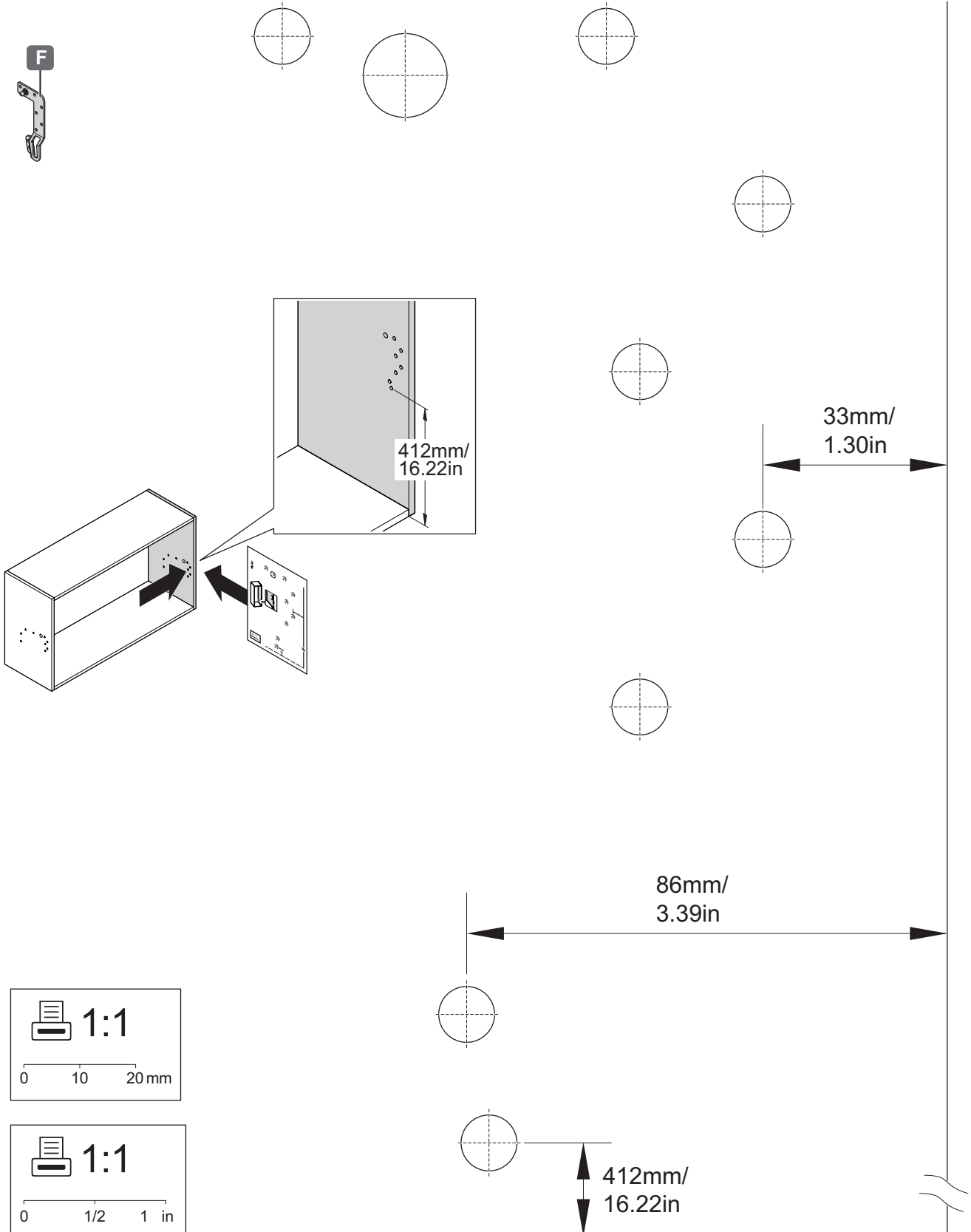
i



732.22.288

[WS48]

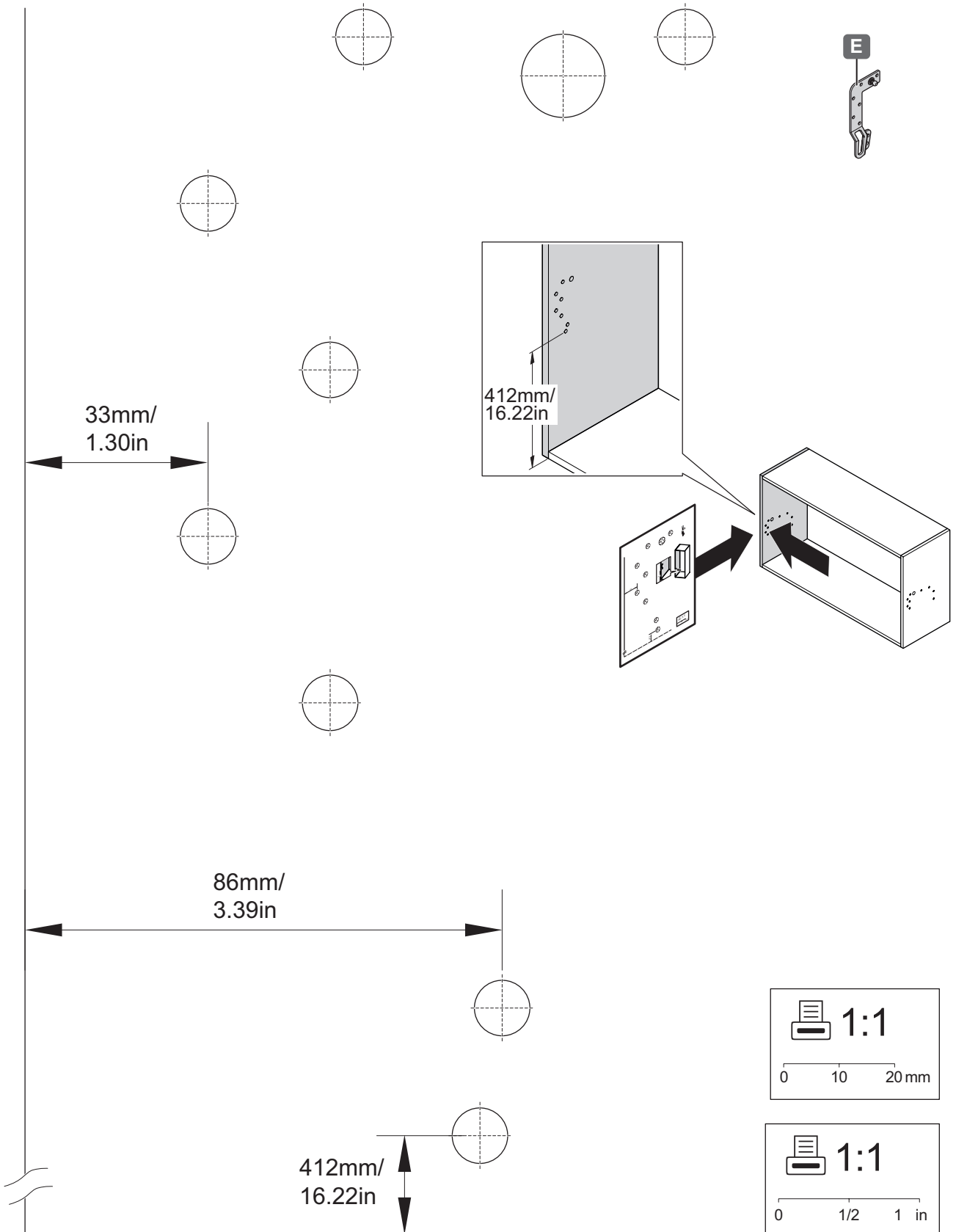
HDE 27.03.2024

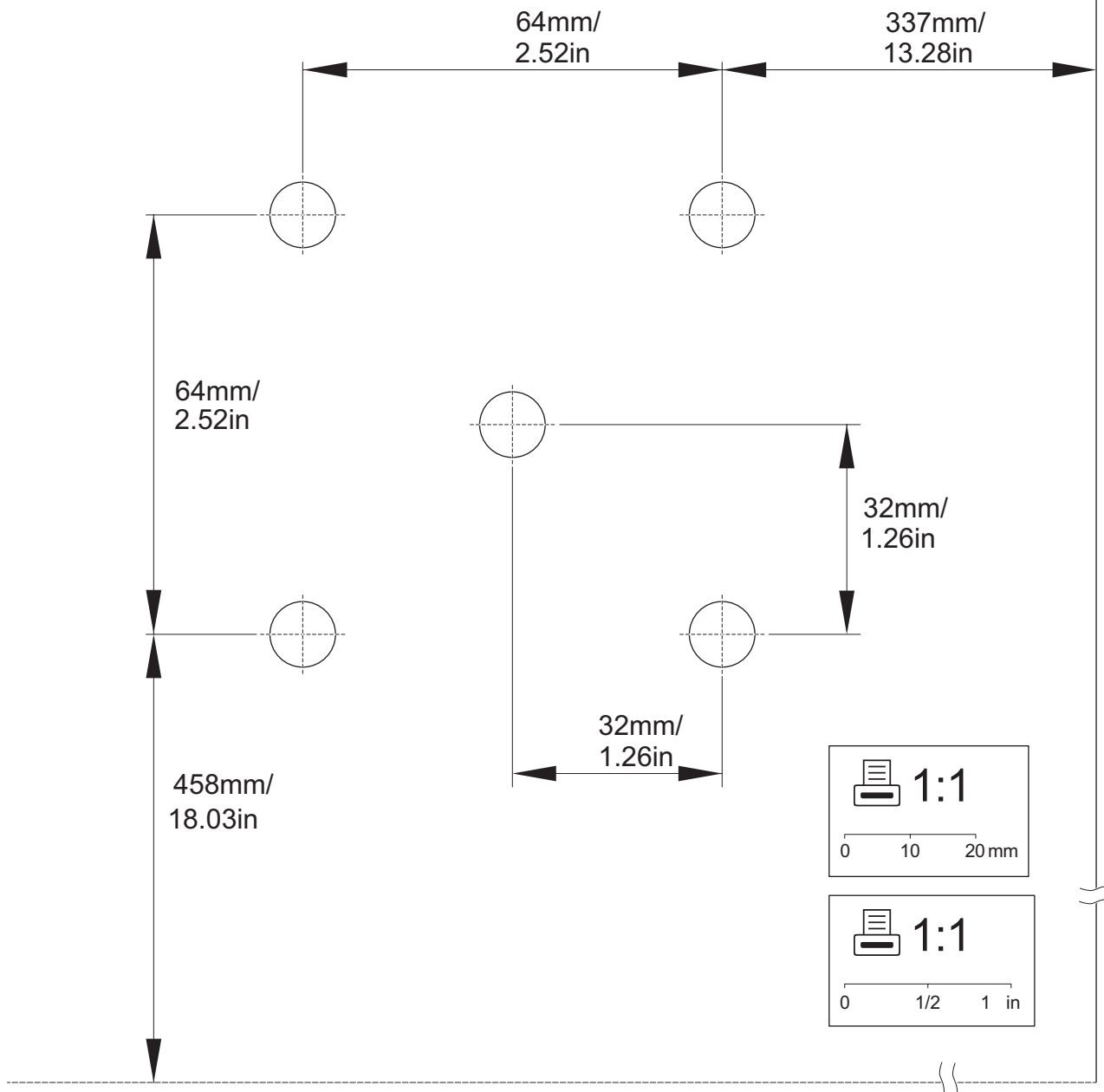
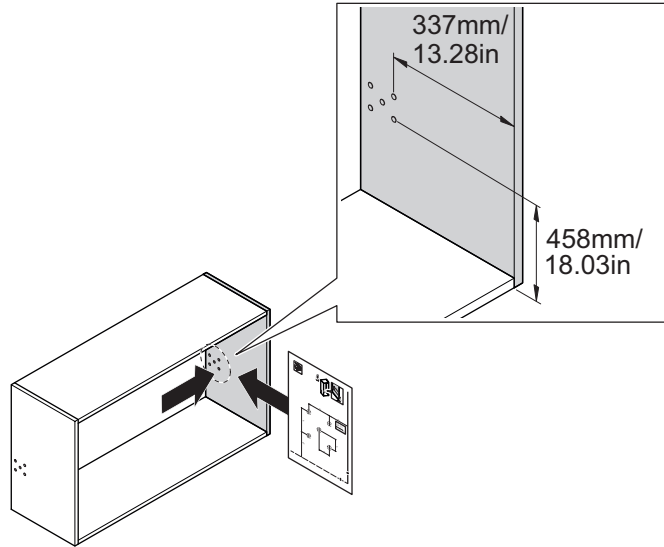


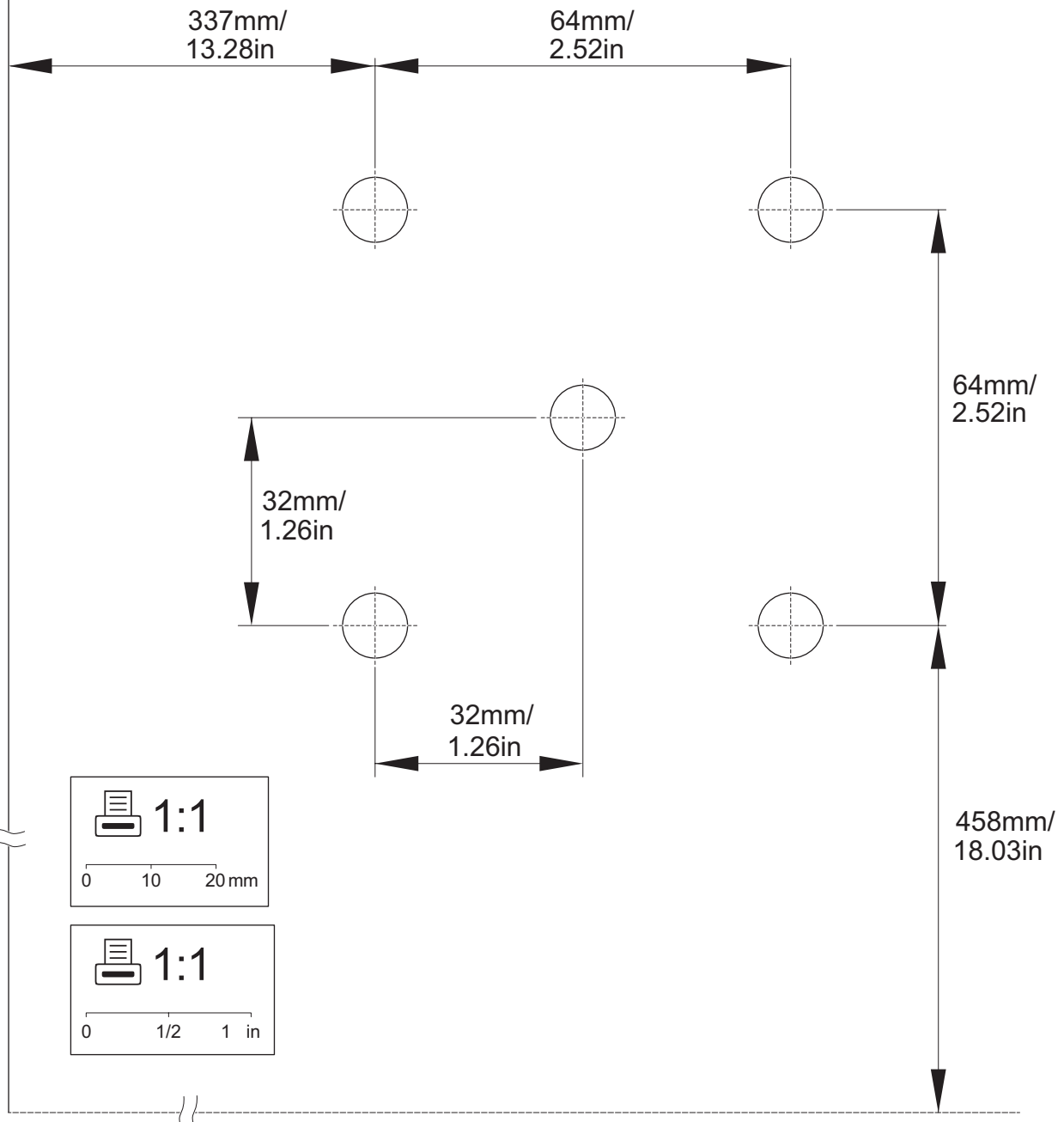
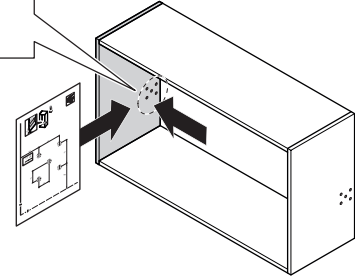
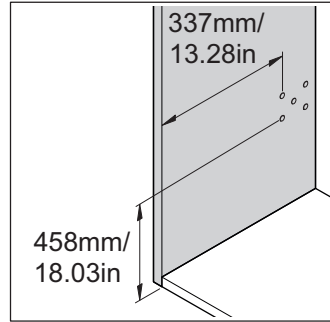
732.22.288

[WS48]

HDE 27.03.2024



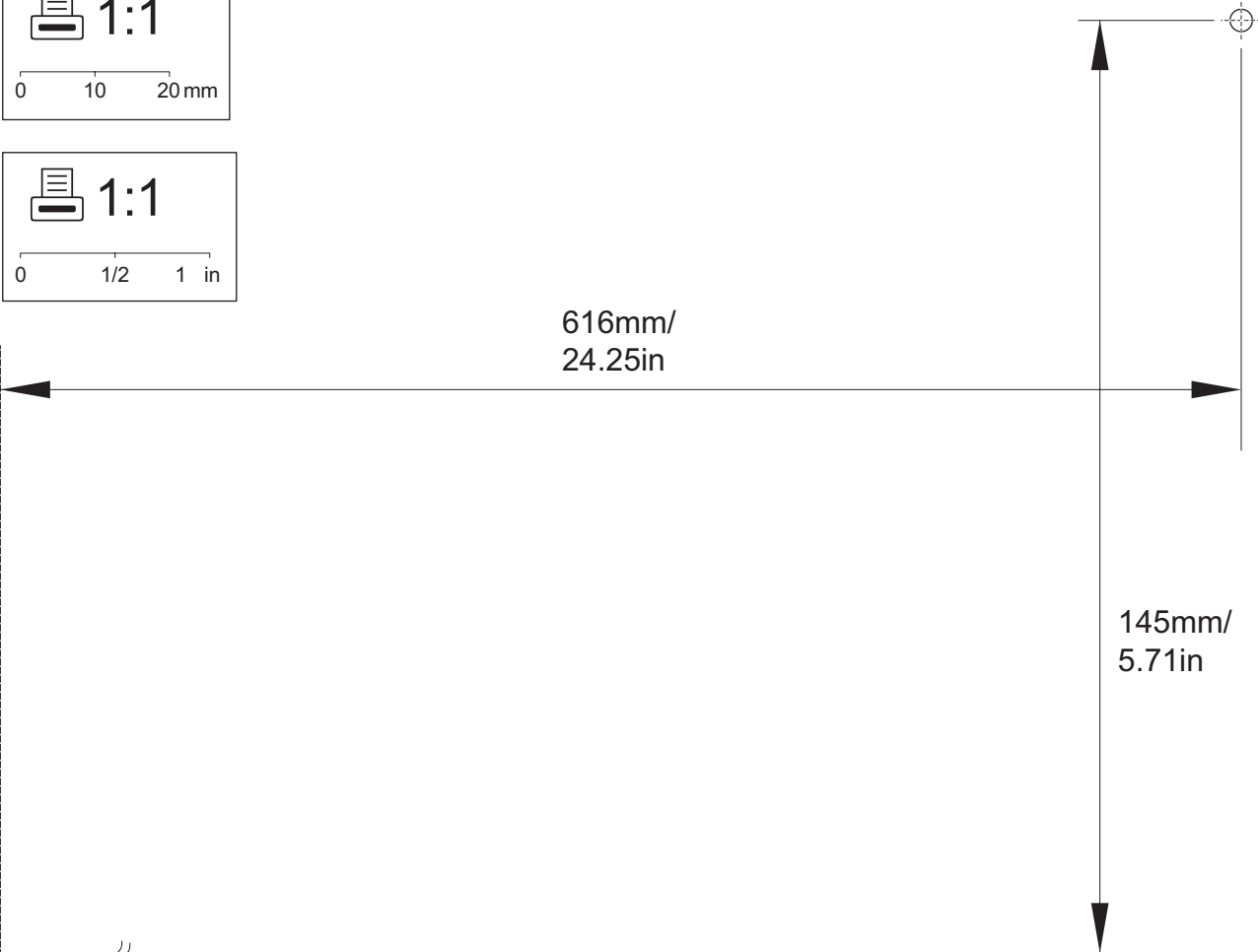
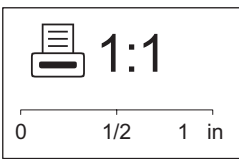
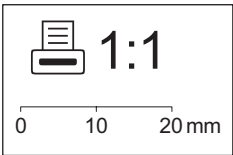
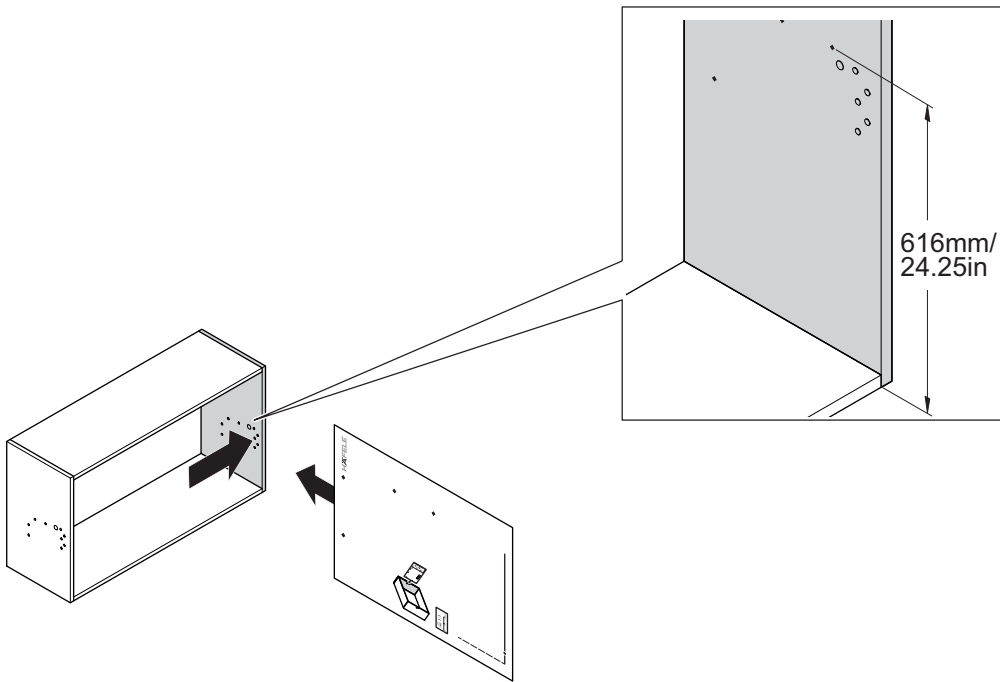
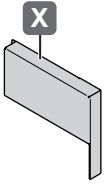


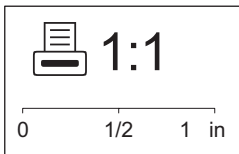
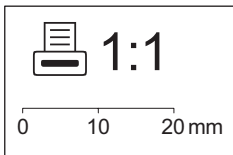
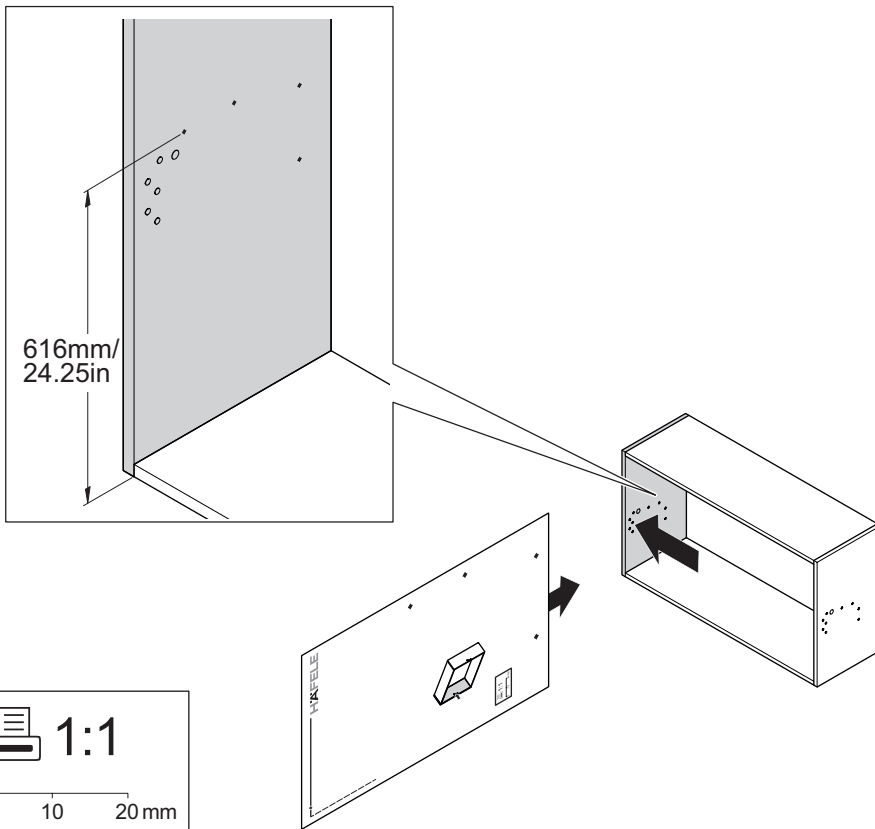
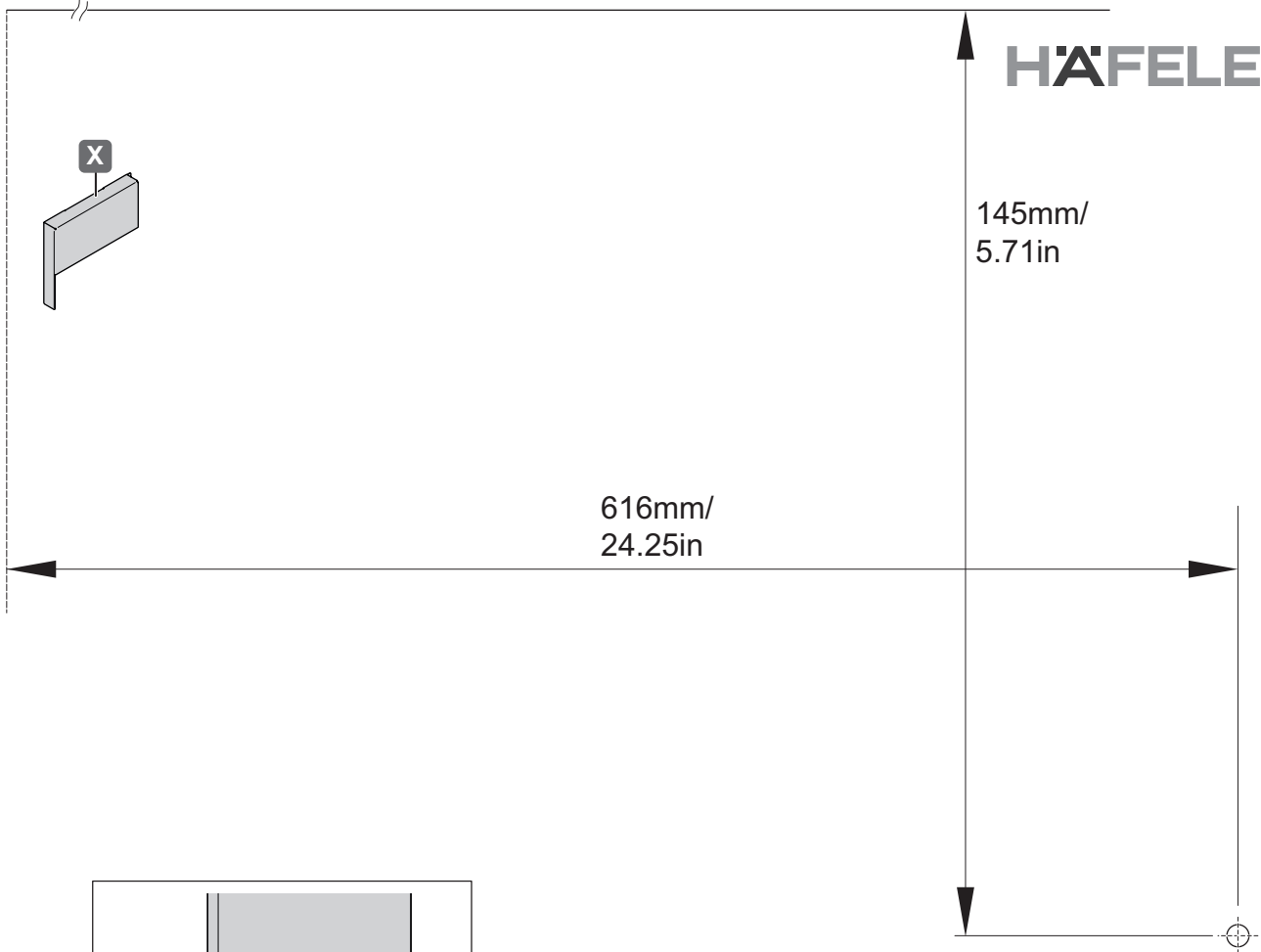


732.22.288

[WS48]

HDE 27.03.2024





732.22.288

[WS48]

HDE 27.03.2024

