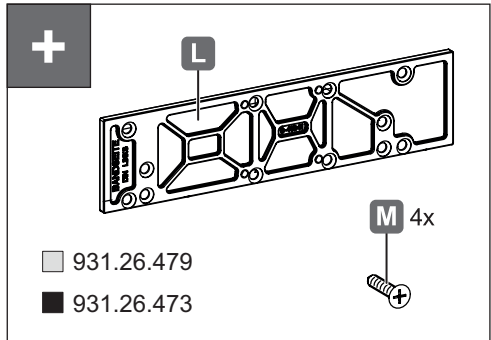
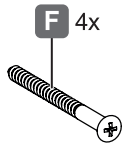
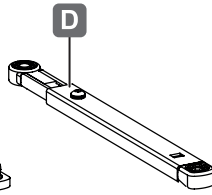
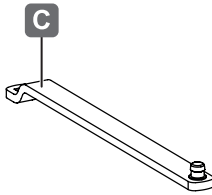
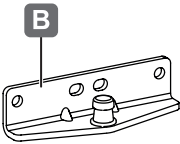
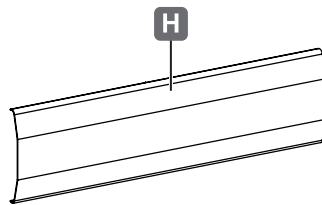
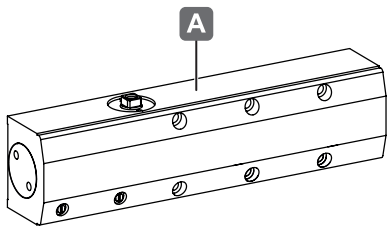
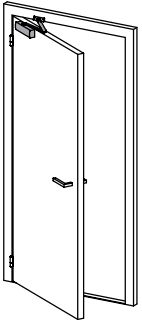


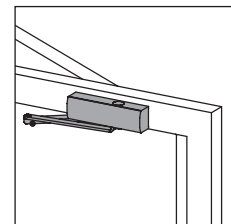
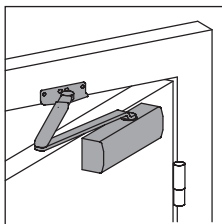
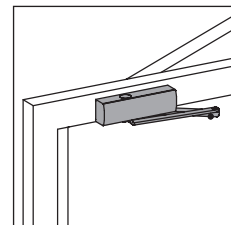
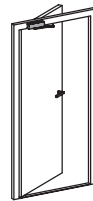
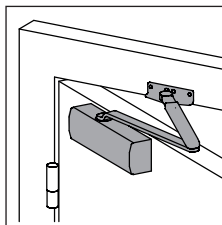
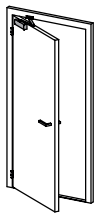


Häfele Startec DCL 82

931.26.519	931.26.513
931.26.029	931.26.023
931.26.109	931.26.143



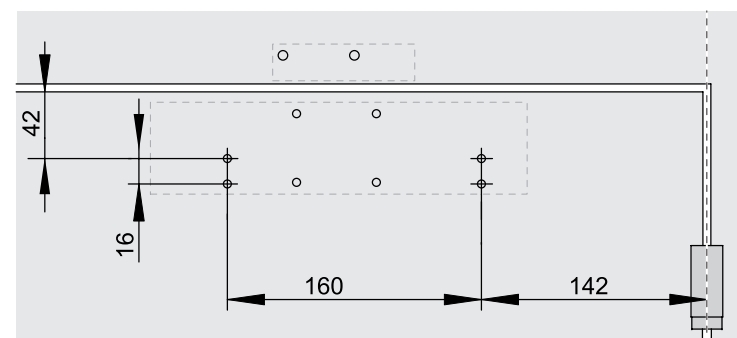
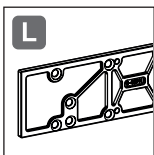
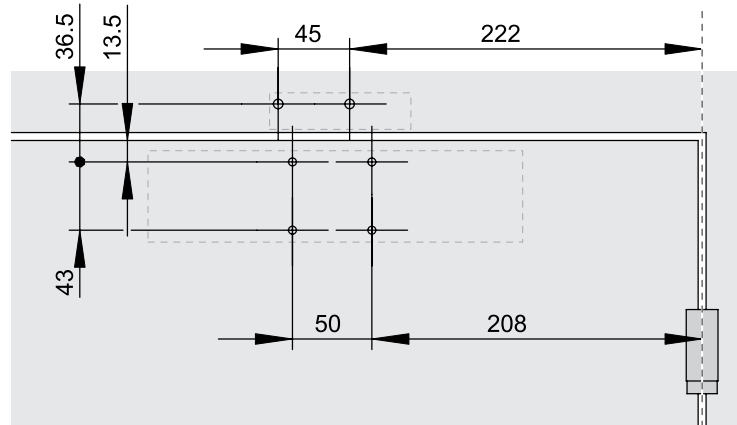
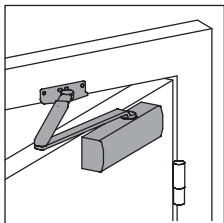
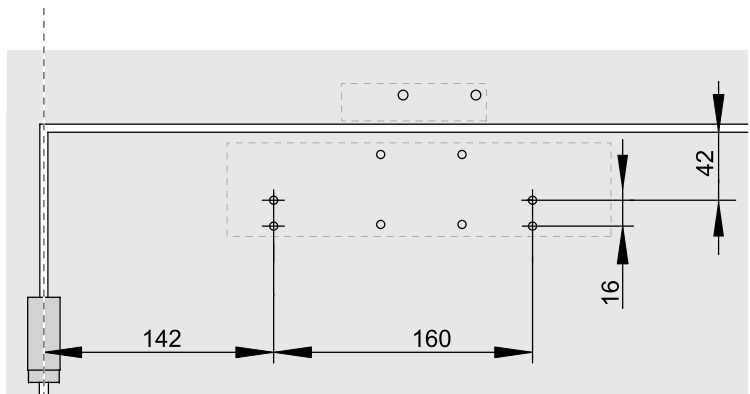
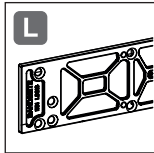
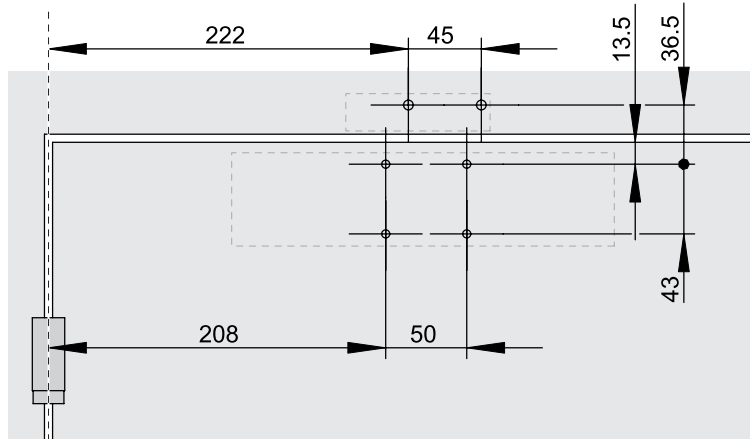
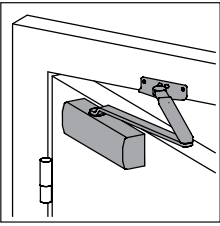
732.29.460



HDE 17.11.2023

i

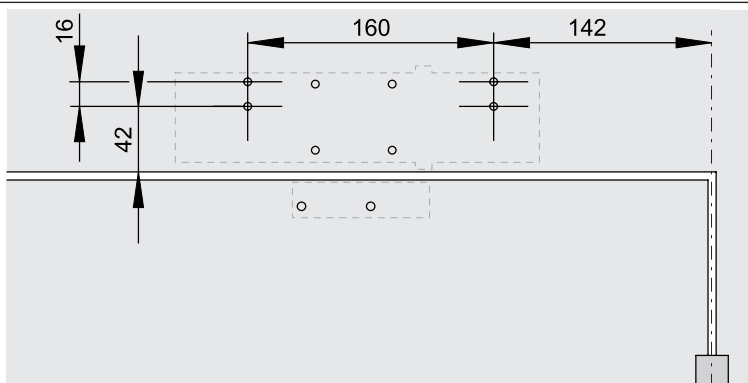
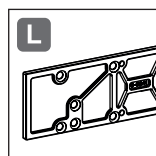
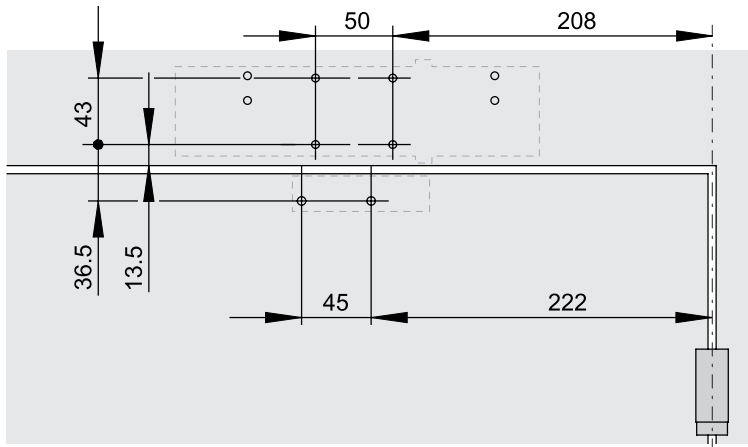
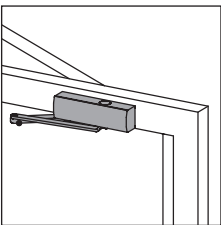
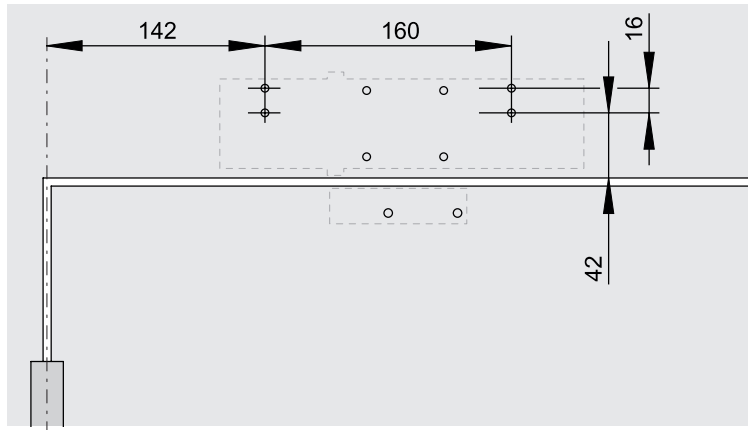
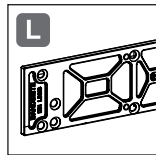
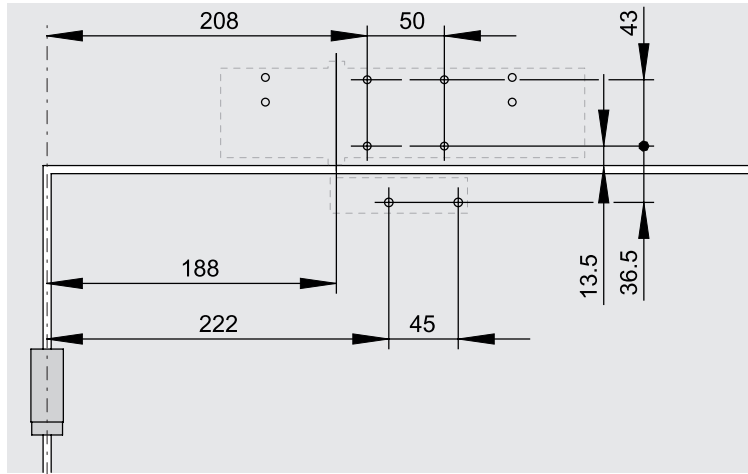
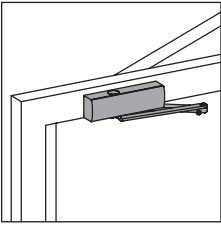
mm



732.29.460

HDE 17.11.2023

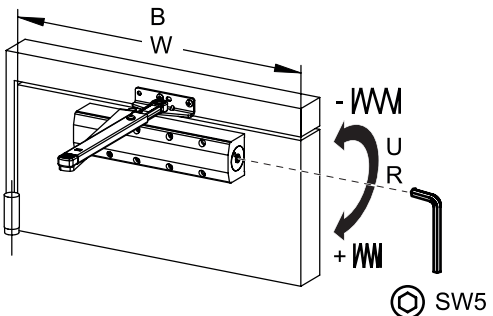
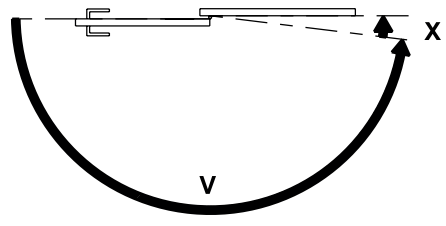
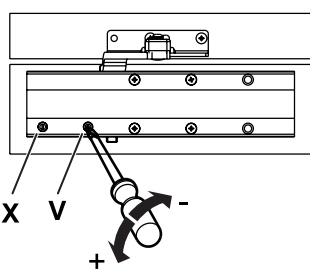
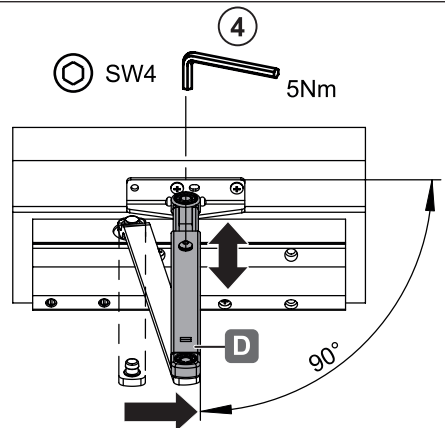
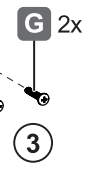
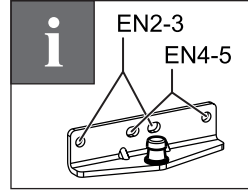
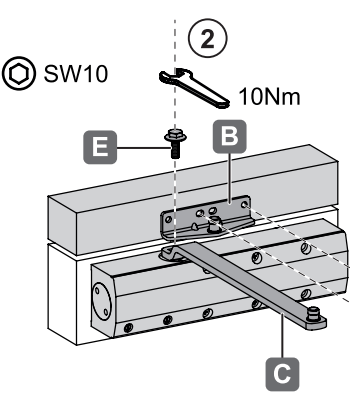
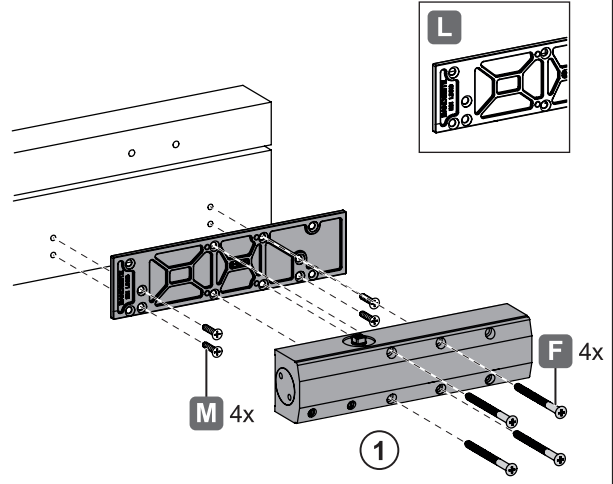
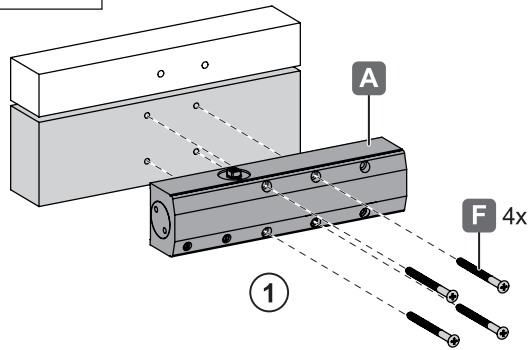
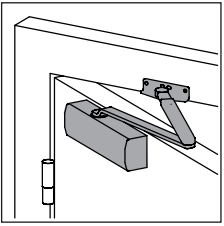
i



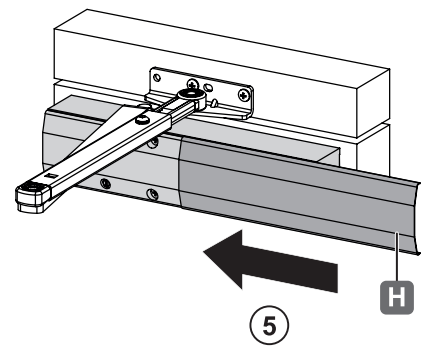
732.29.460

HDE 17.11.2023

1A



EN	$\leq \frac{B}{W}$	U R
2	850mm	0
3	950mm	+ 6
4	1100mm	+ 6
5	1250mm	+16

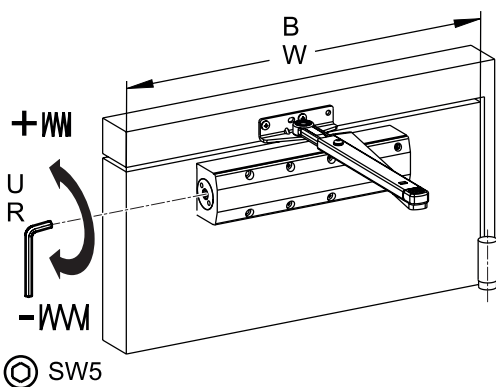
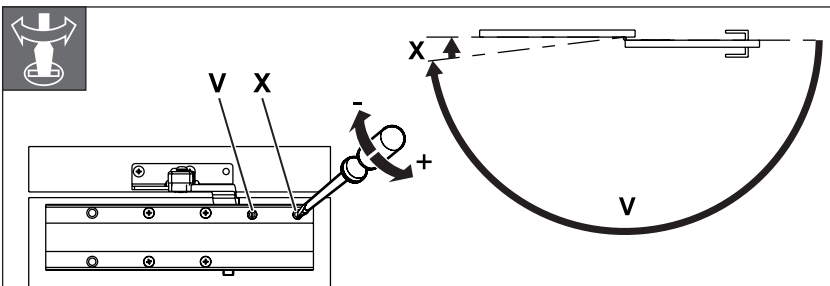
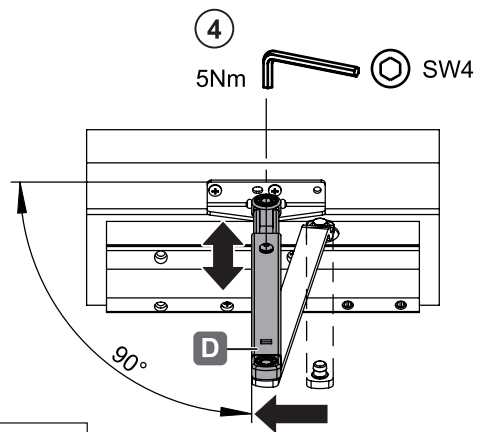
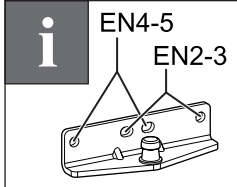
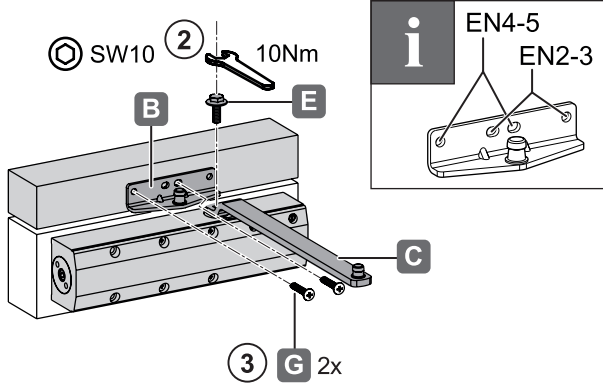
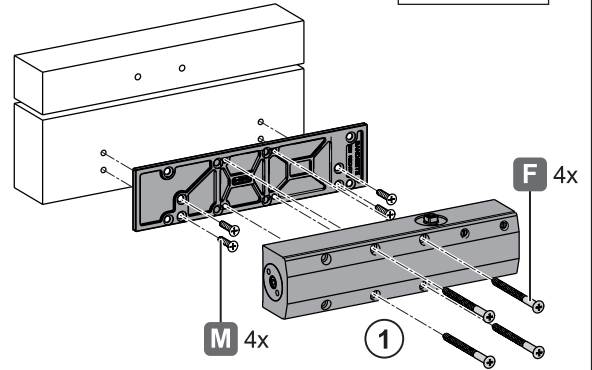
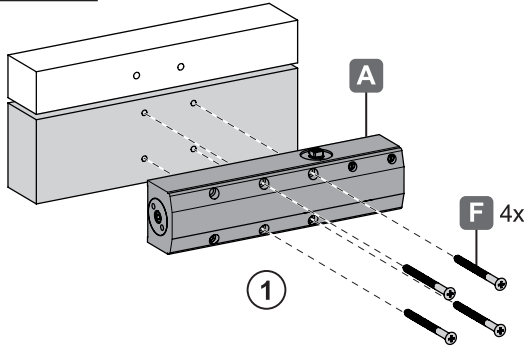
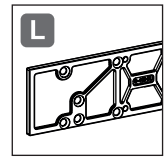
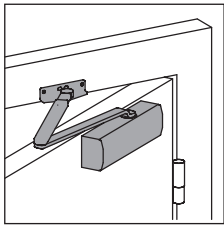


732.29.460

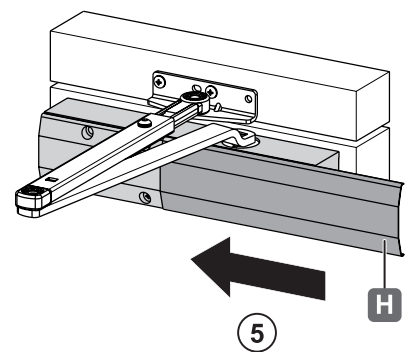
HDE 17.11.2023

1B

mm



EN	≤ B W	U R
2	850mm	0
3	950mm	+ 6
4	1100mm	+ 6
5	1250mm	+16

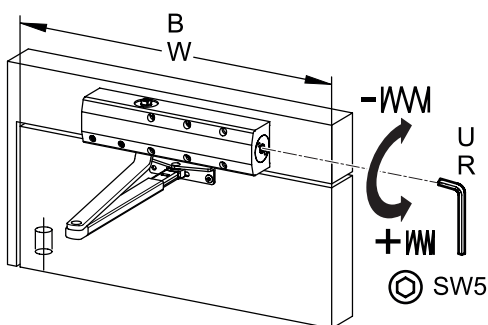
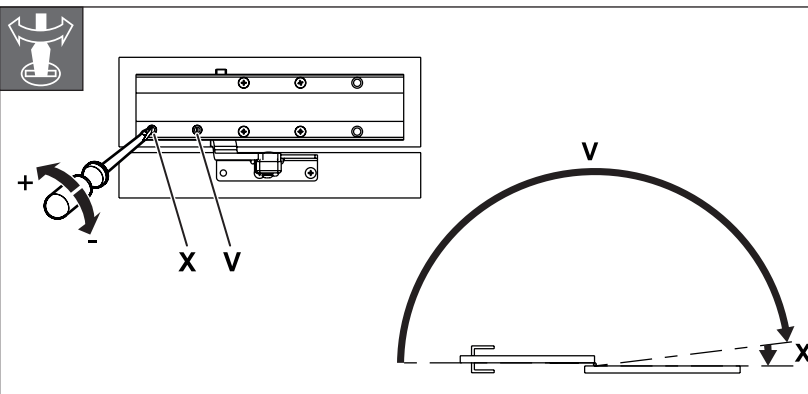
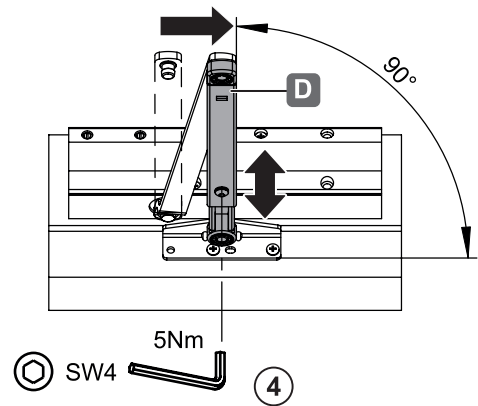
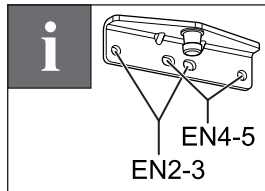
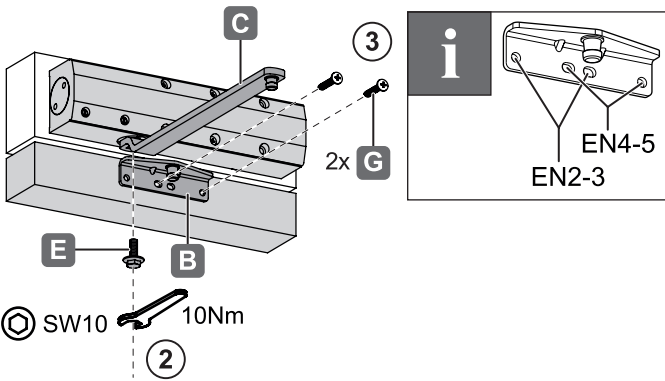
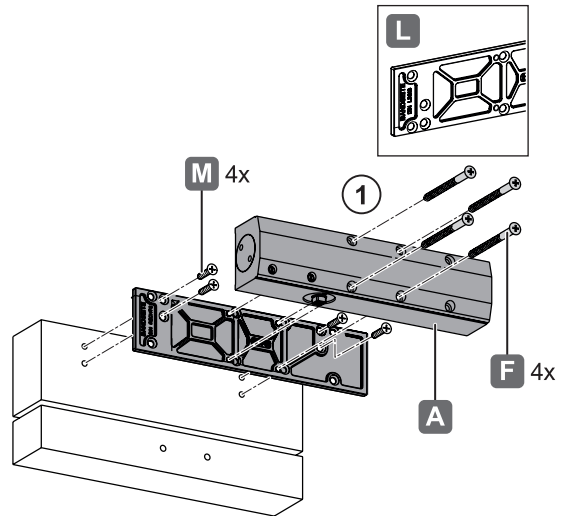
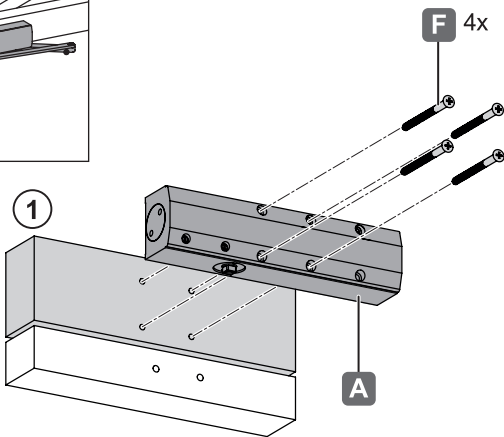
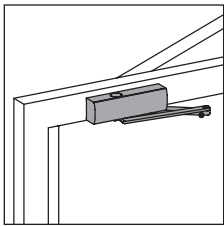


732.29.460

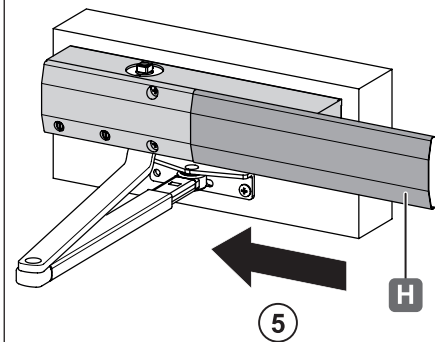
HDE 17.11.2023

1C

mm



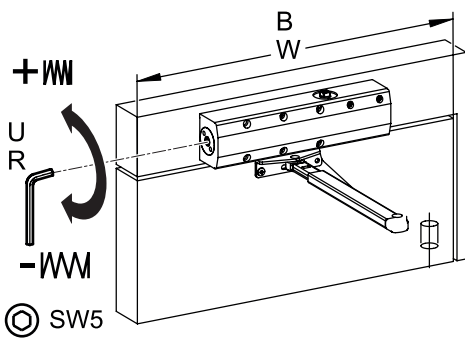
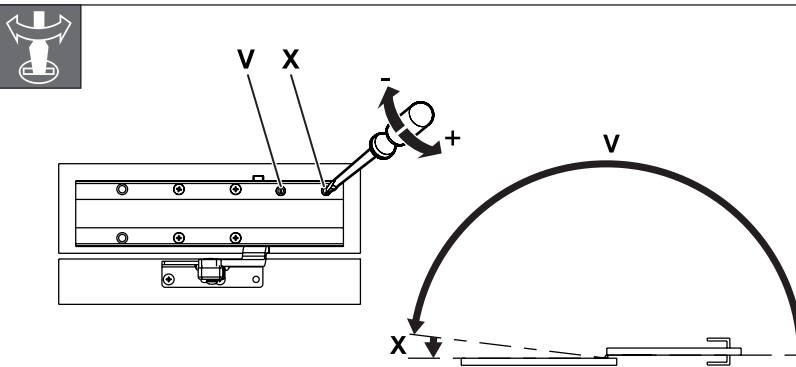
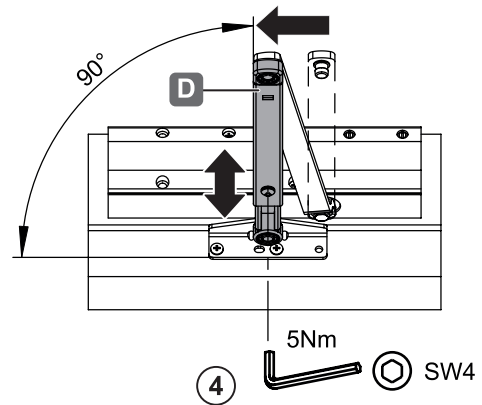
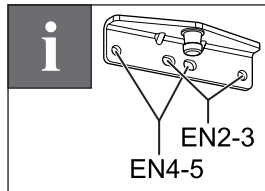
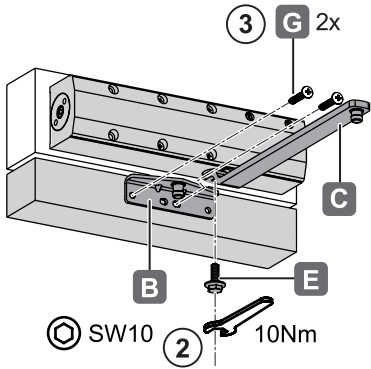
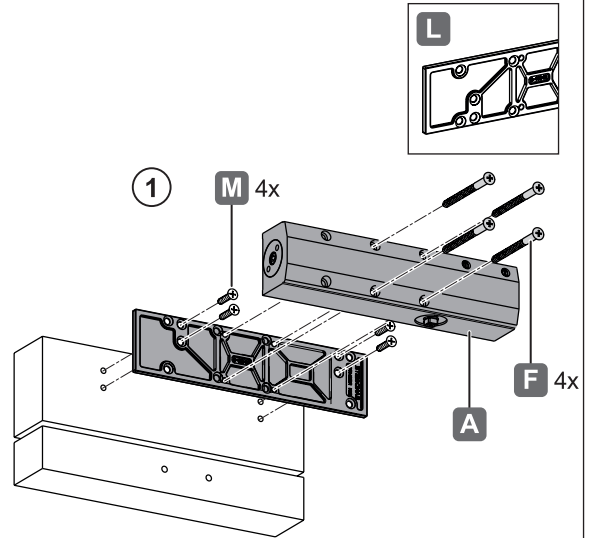
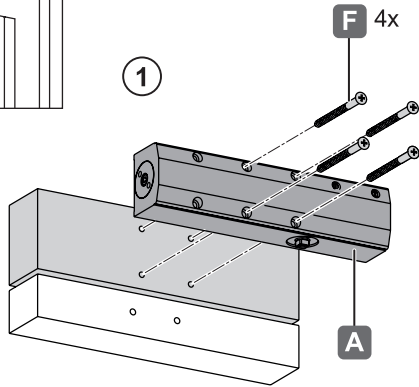
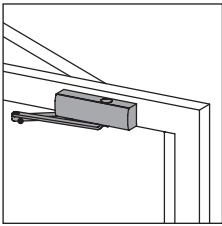
EN	$\leq \frac{B}{W}$	U R
2	850mm	0
3	950mm	+ 6
4	1100mm	+ 6
5	1250mm	+16



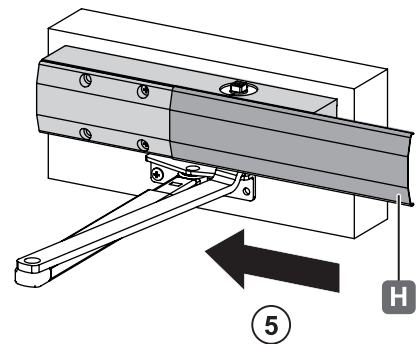
732.29.460


HDE 17.11.2023

1D



EN	≤ B W	U R
2	850mm	0
3	950mm	+6
4	1100mm	+6
5	1250mm	+16



	Häfele SE & Co KG Adolf-Häfele-Str. 1 D-72202 Nagold	23					
0432-CPR-00184-09.01	EN 1154:1996/A1:2002/ AC:2006	4	8	5 2	1	1	4
Substance:-----							