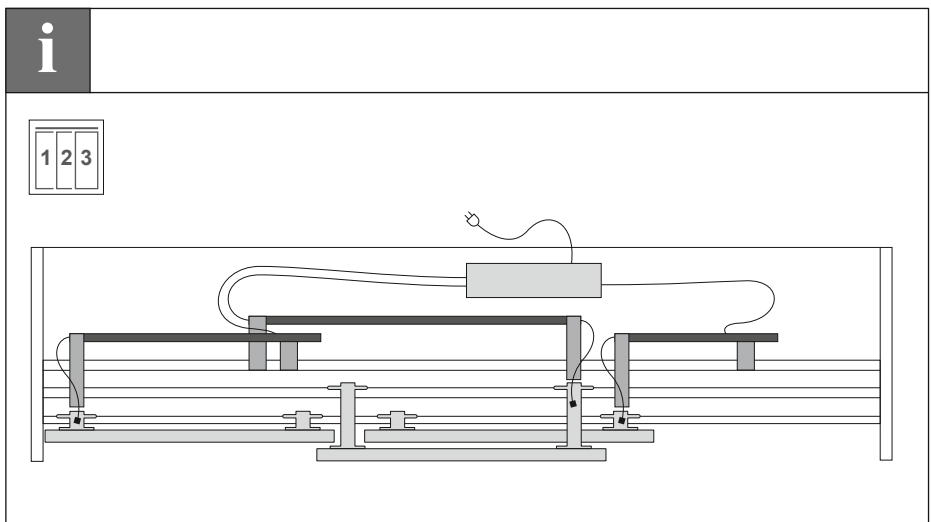
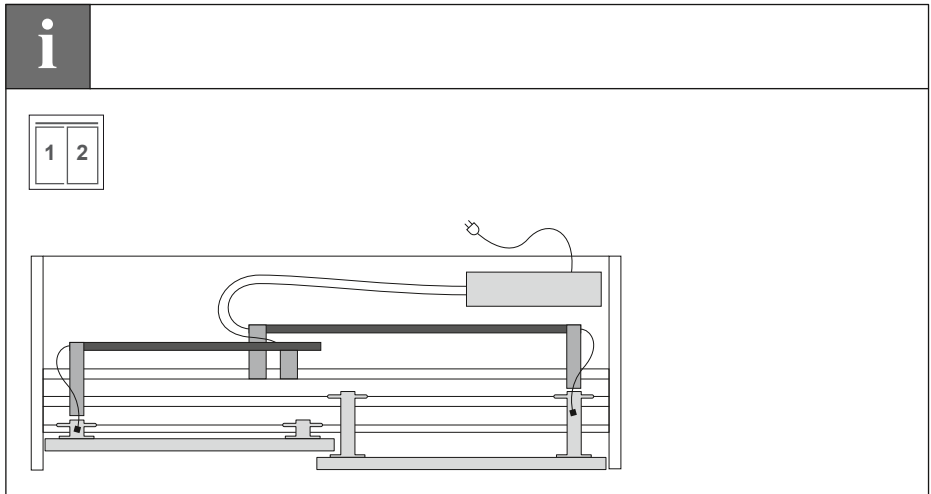


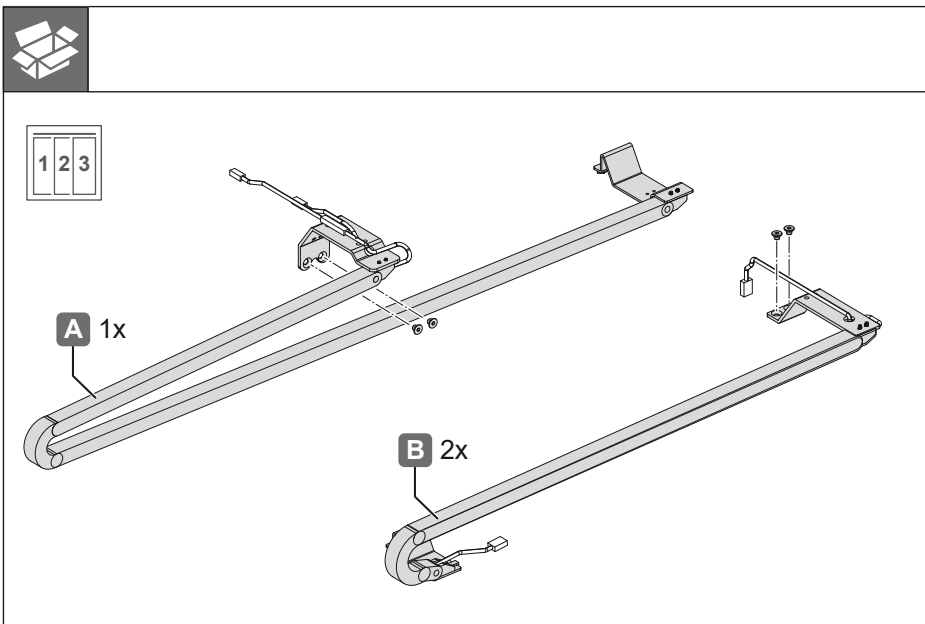
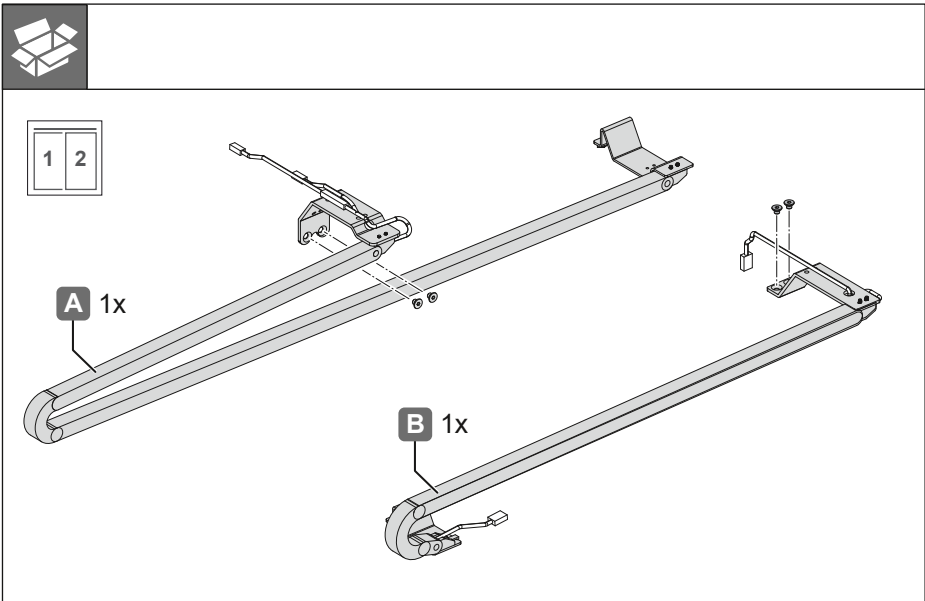


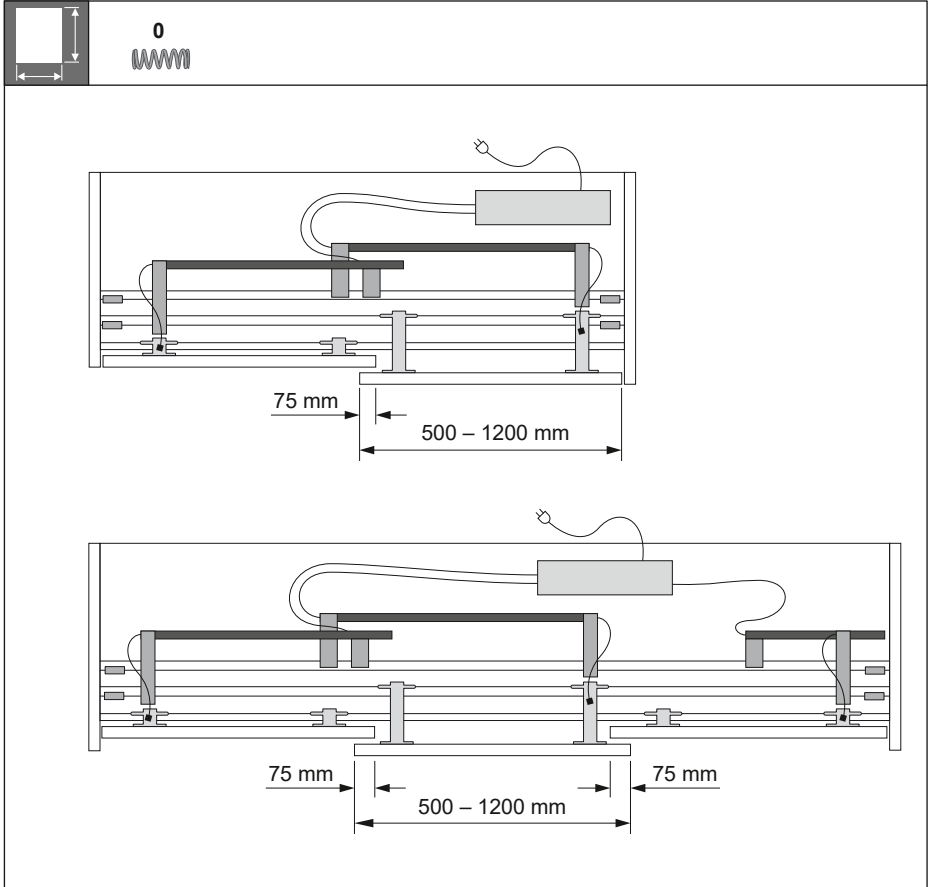
Slido Power-chain

402.35.321
402.35.322

F-Line31 60a	402.35.321	402.35.322

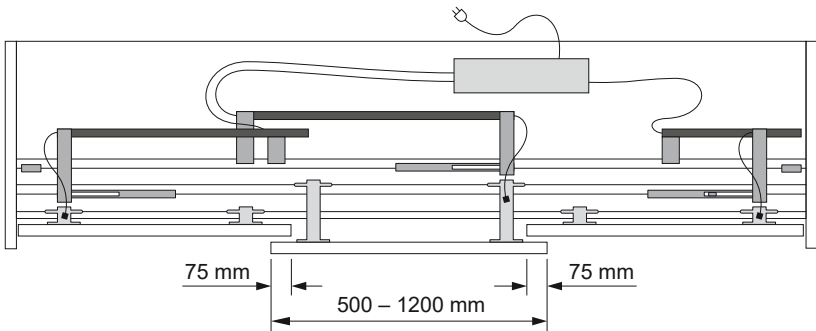
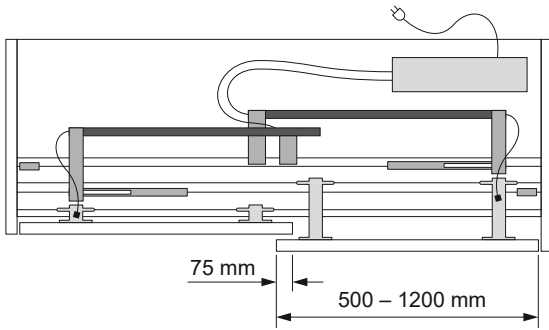






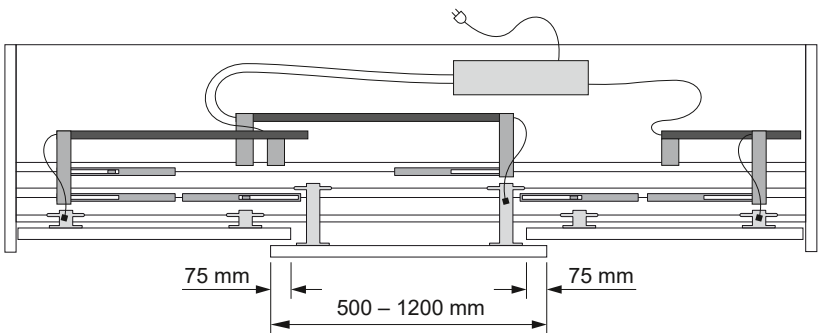
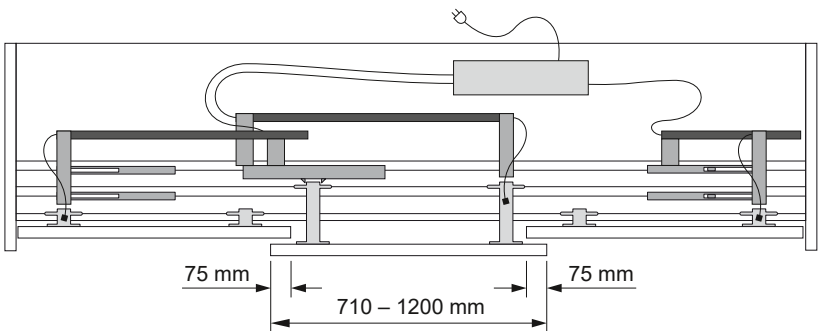
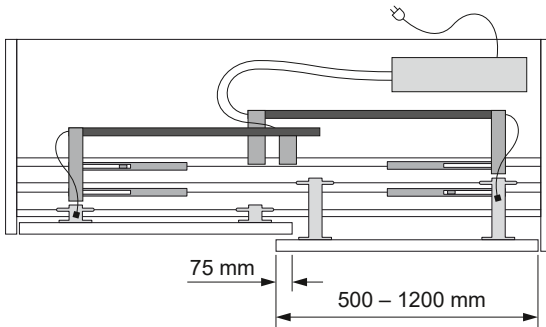


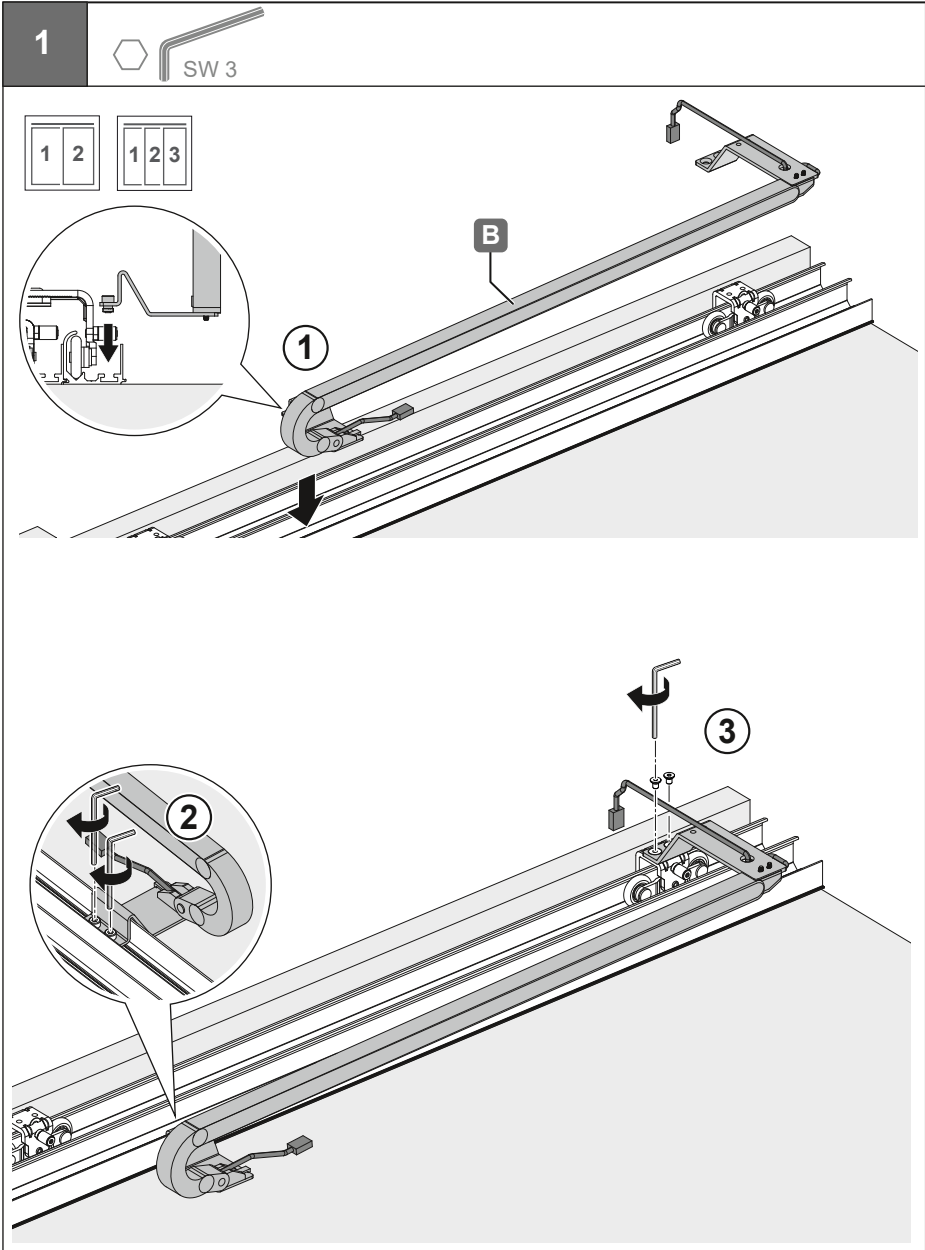
1



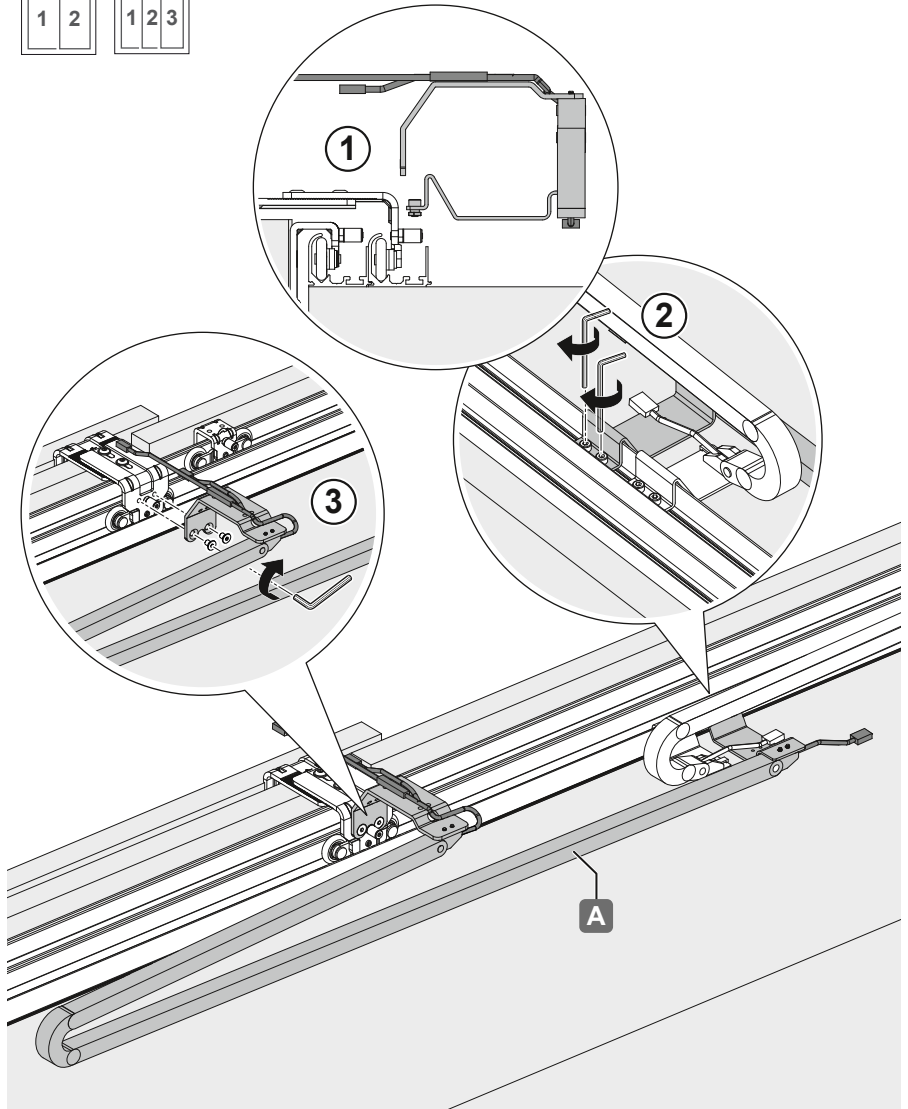


2

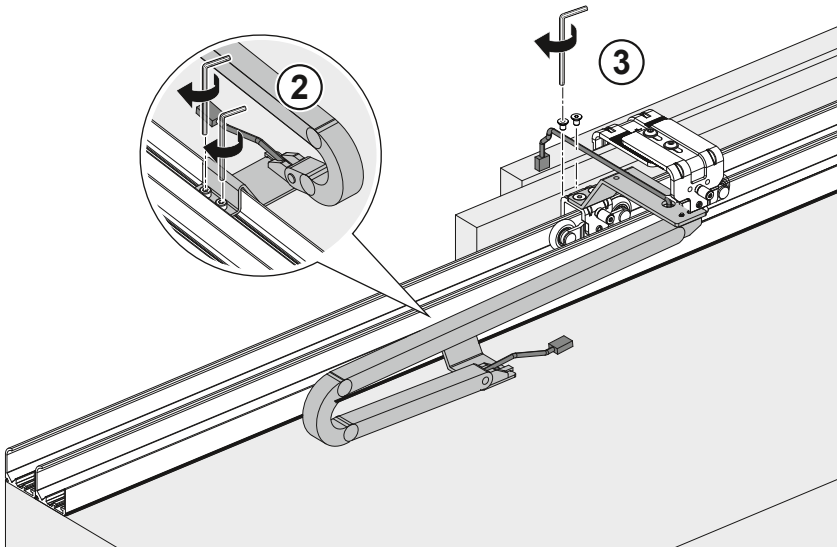
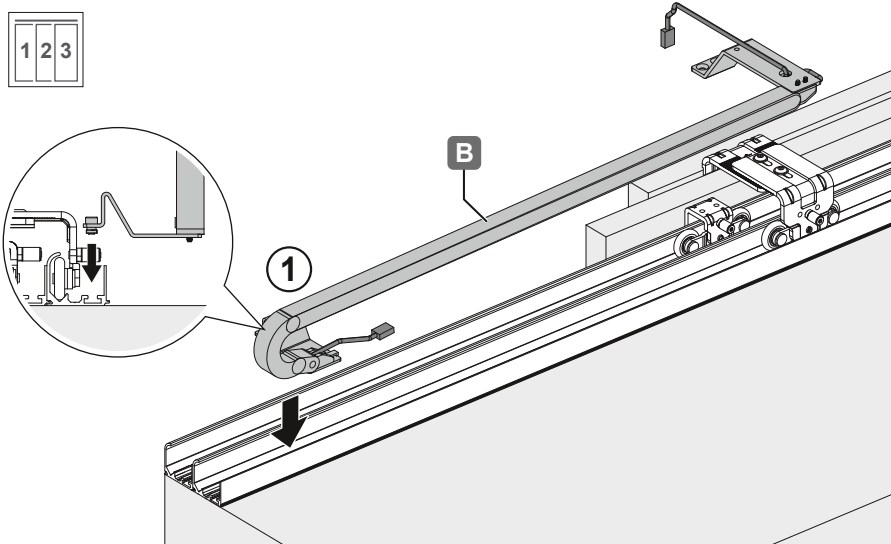





2



3



4

