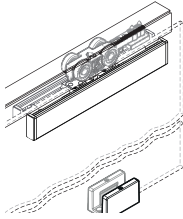




Slido D-Line11

940.42.083	940.83.042	941.25.022
940.42.084	940.83.043	941.25.023
940.42.085	940.83.044	941.25.024
940.42.086	940.83.045	941.25.025



Classic	A	B1	B2	E
50J	940.42.083	940.42.084	940.42.085	940.42.086
80J	940.83.042	940.83.043	940.83.044	940.83.045
120J	941.25.022	941.25.023	941.25.024	941.25.025

i

B1 B2 E

941.25.602

941.25.603

941.25.606

732.29.843

i

„mm“

H1 = H - 10 - 32 - 13

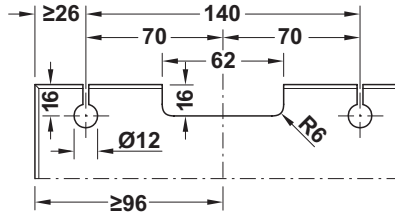
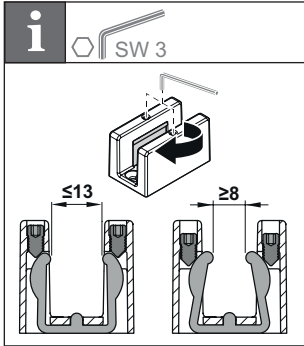
HDE 24-10.2023

i

„mm“

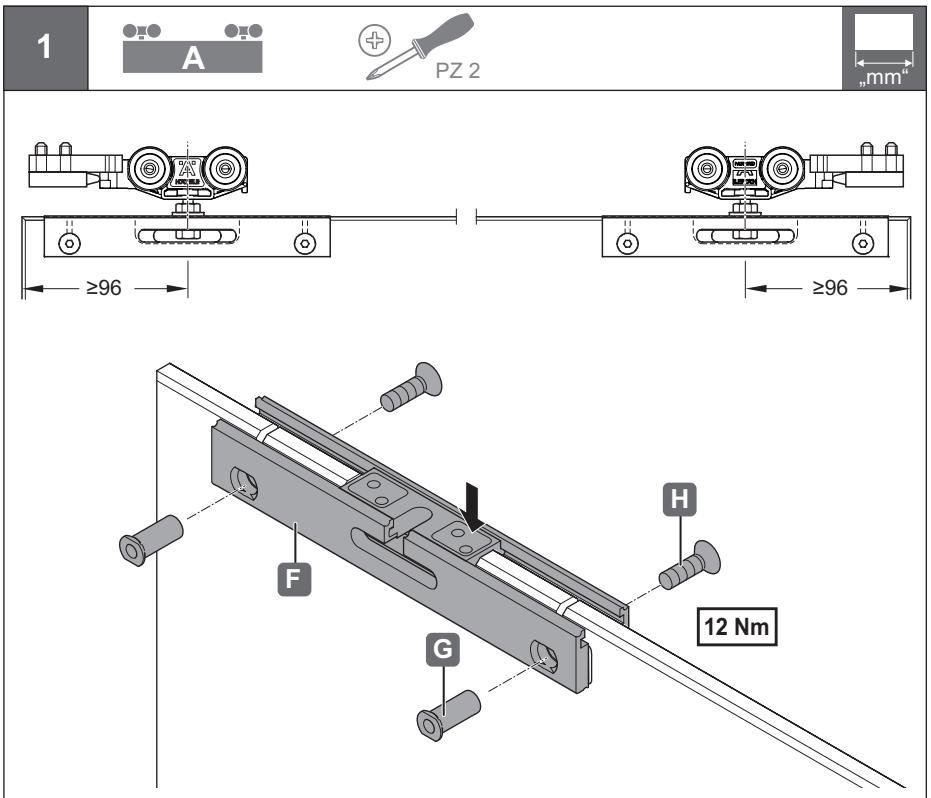
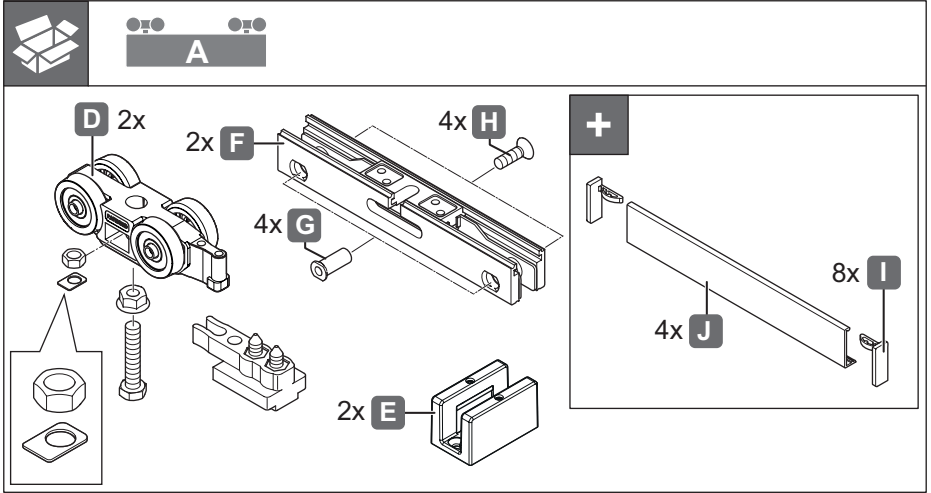
i

SW 3



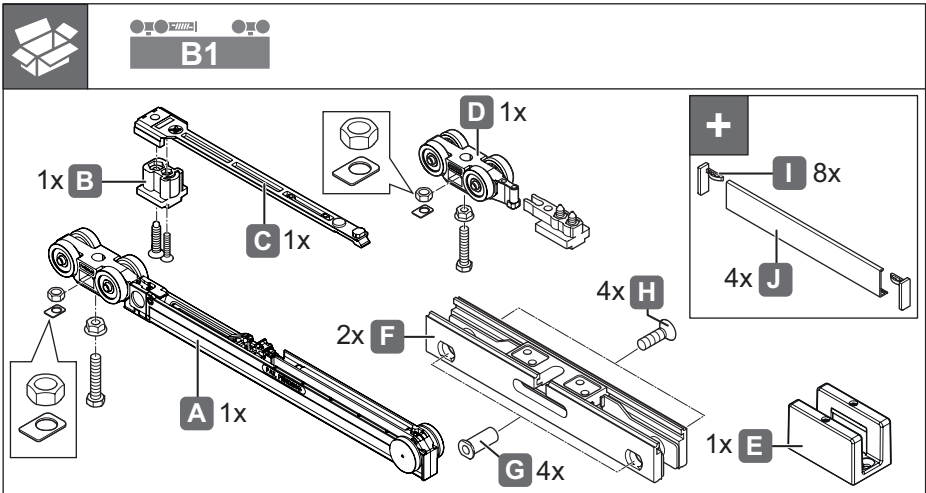
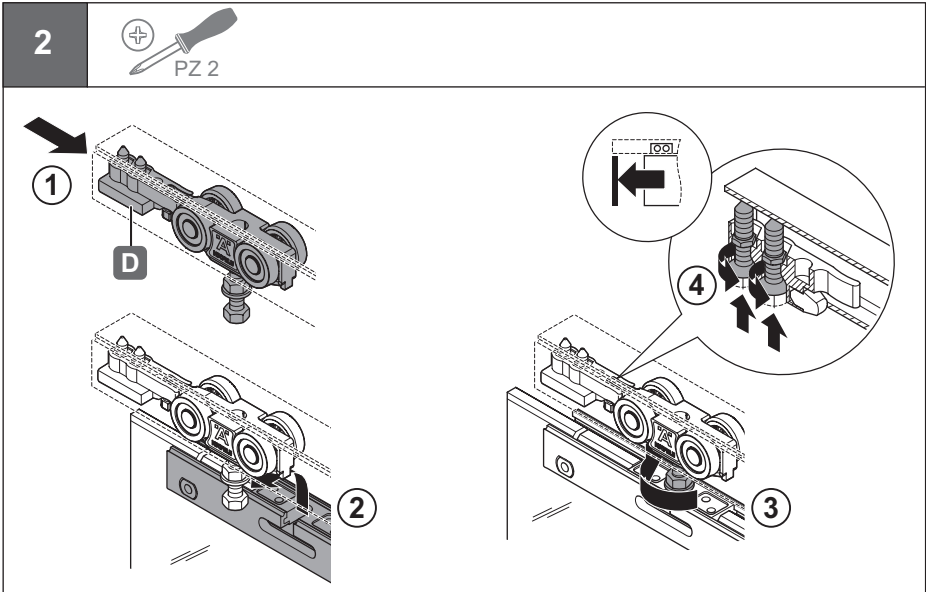
732.29.843

HDE 24.10.2023



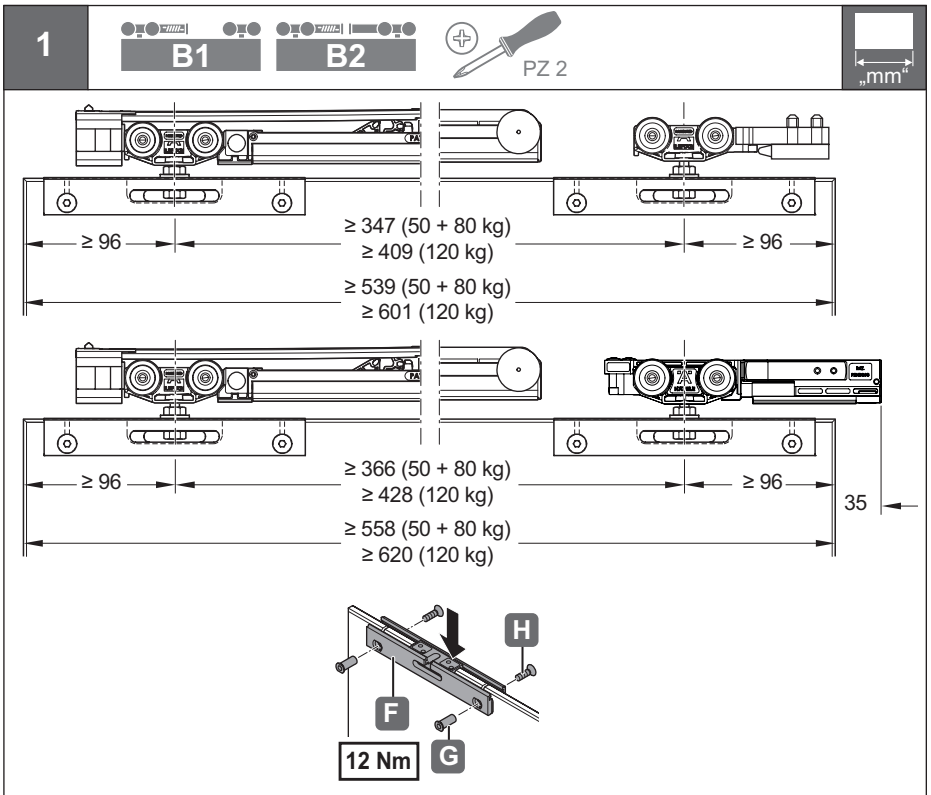
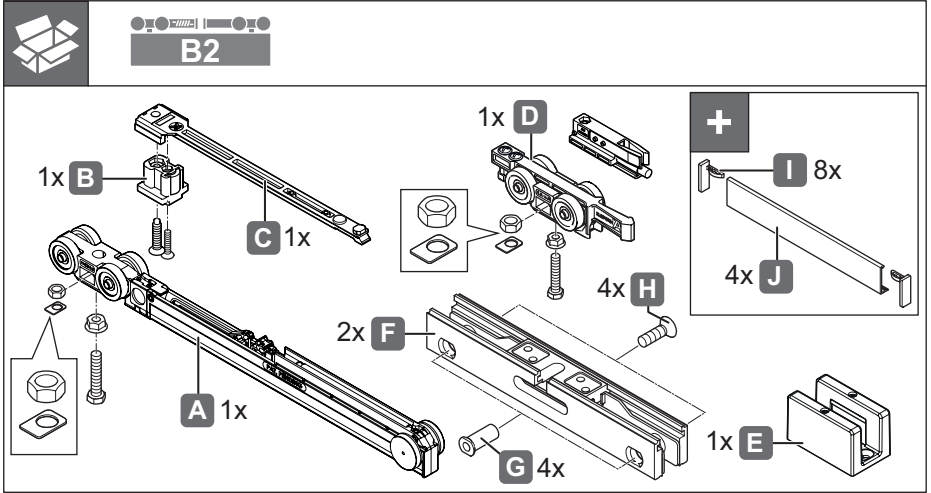
732_29-B-43

HDE 24-10.2023



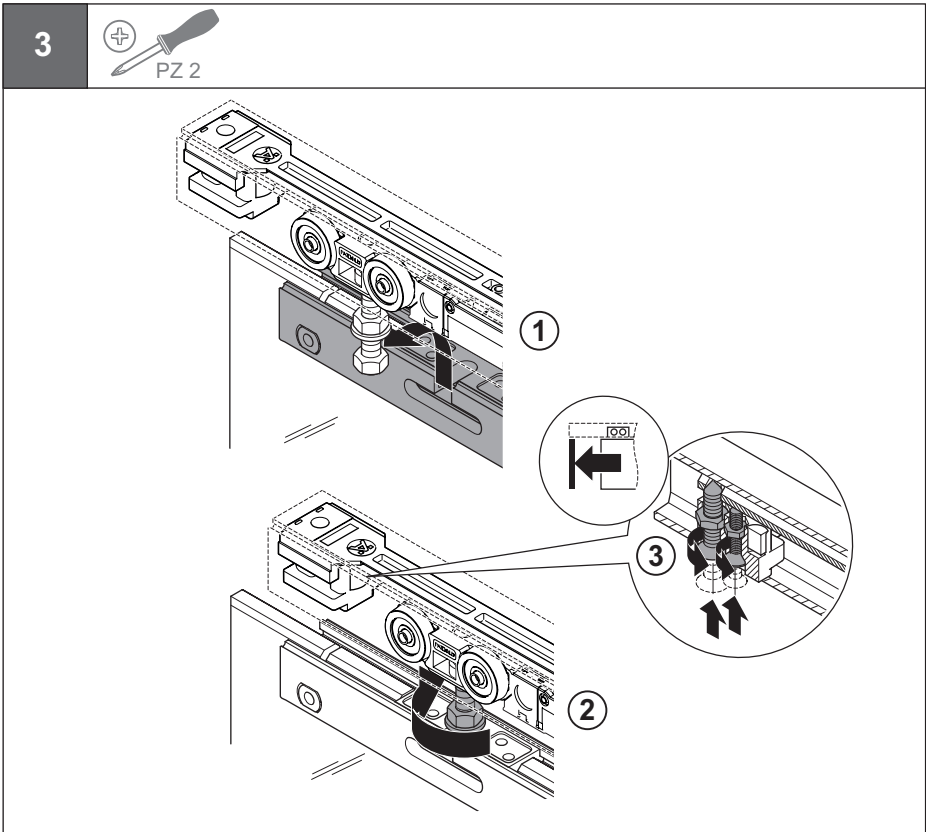
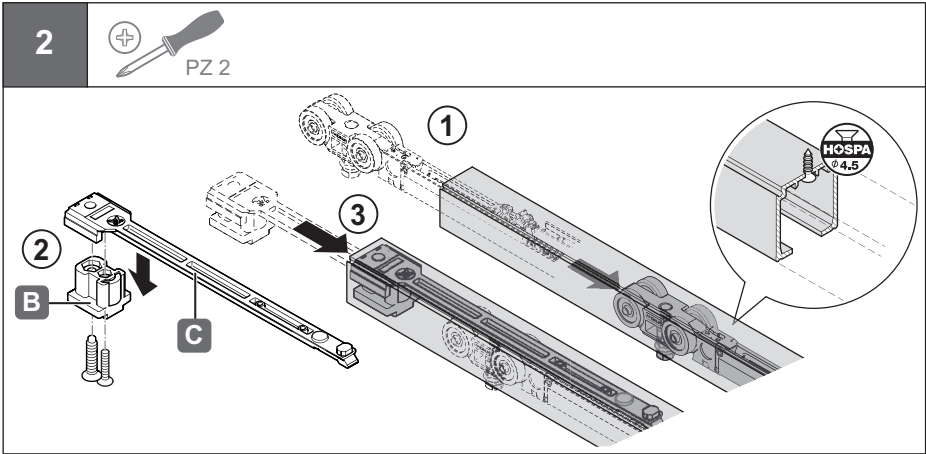
732.29.B43

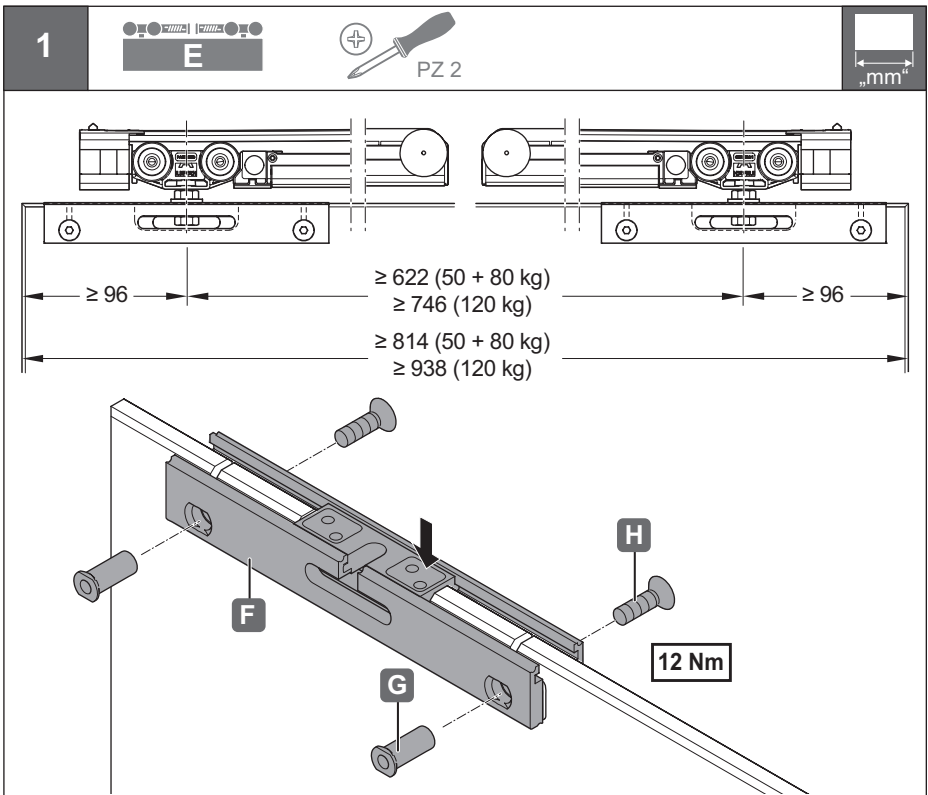
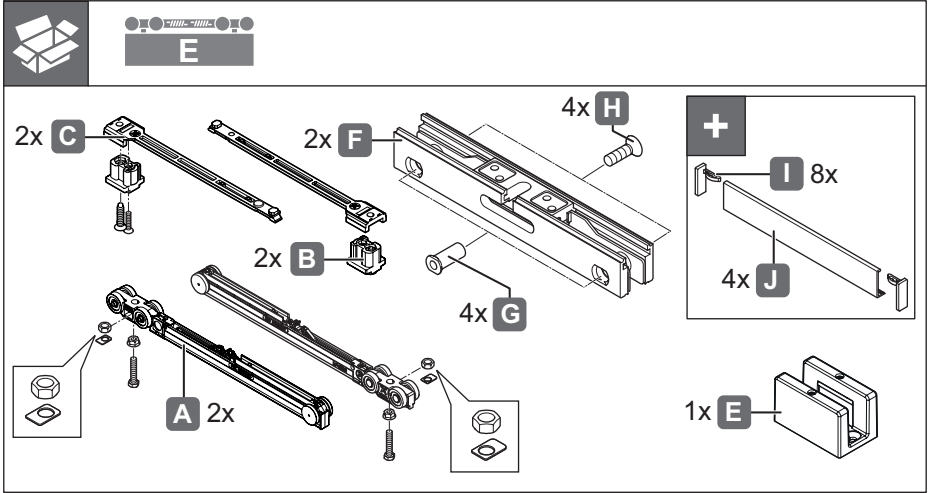
HDE 24.10.2023



732_29_B-43

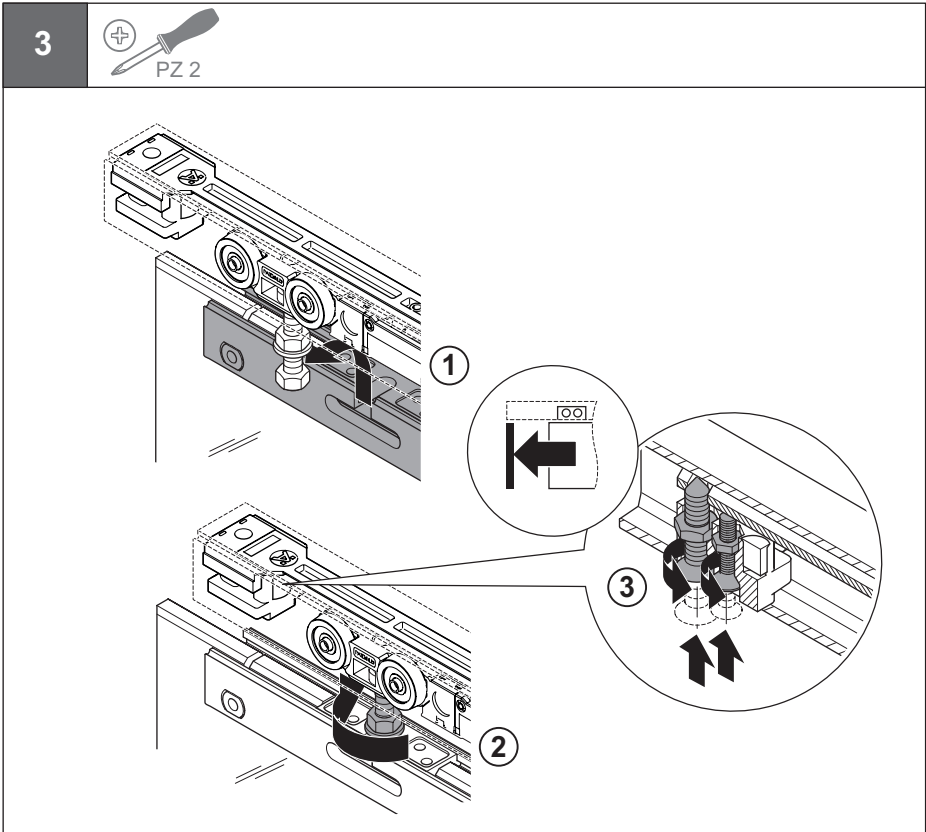
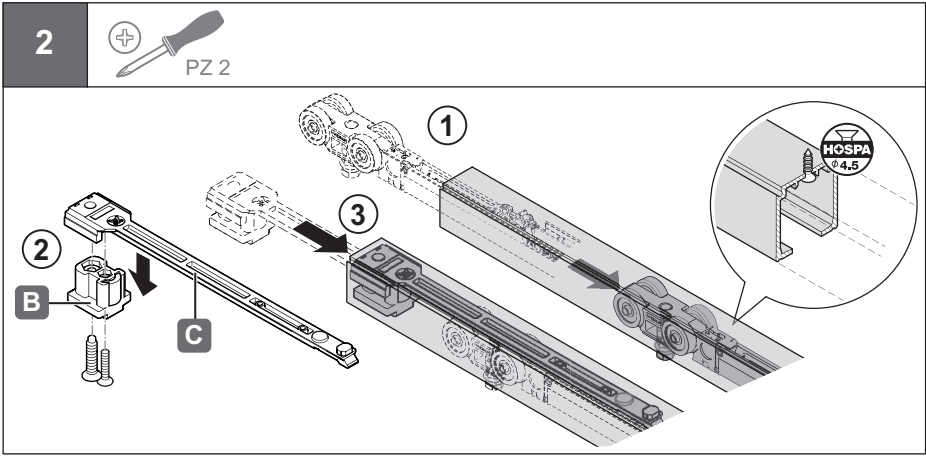
HDE 24_10.2023

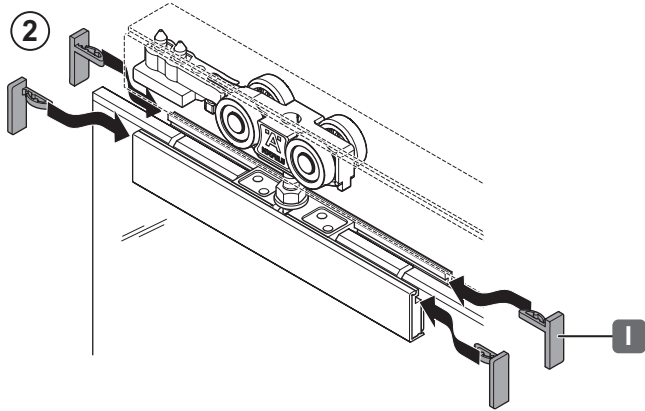
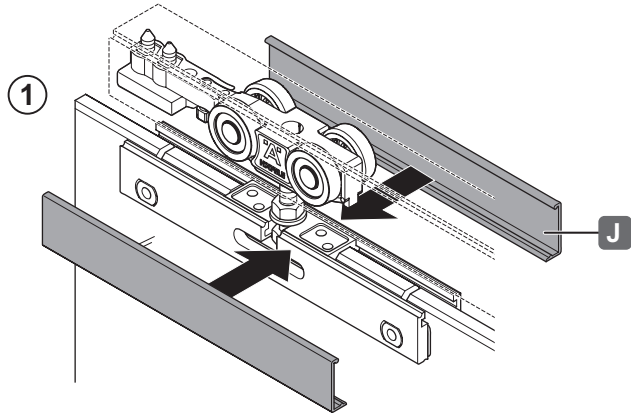




732_29_B43

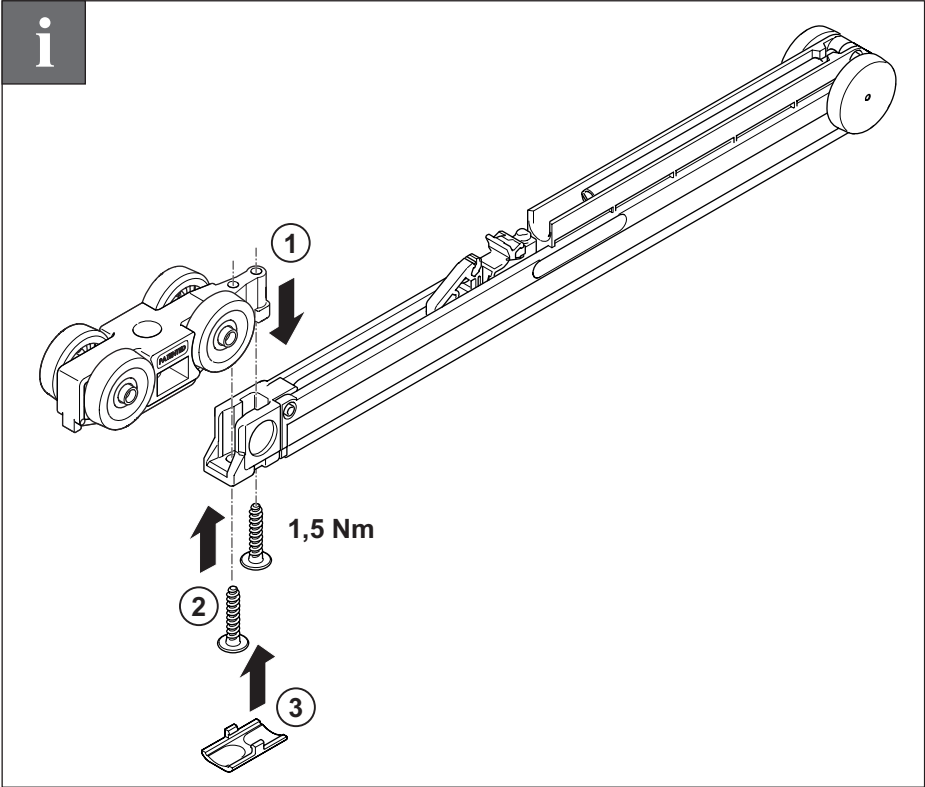
HDE 24_10.2023





732_29-B-43

HDE 24_10.2023



732.29.843

HDE 24.10.2023

732.29.843

HDE 24.10.2023

