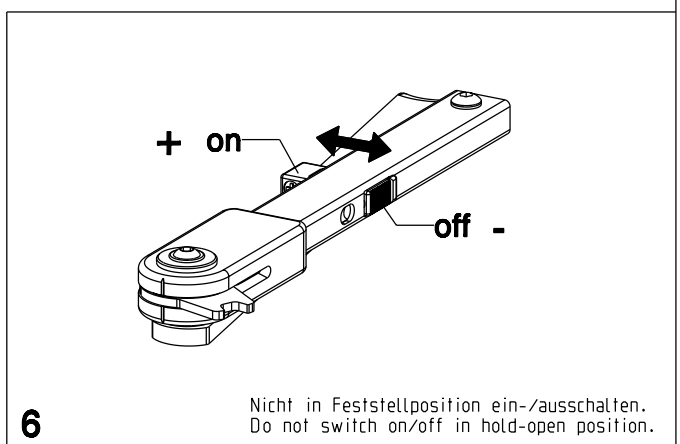
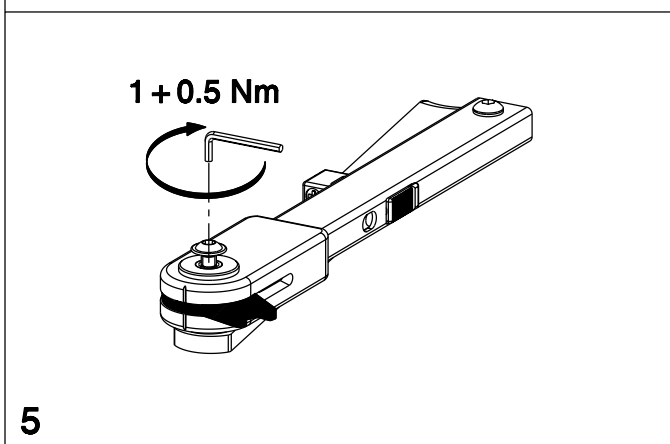
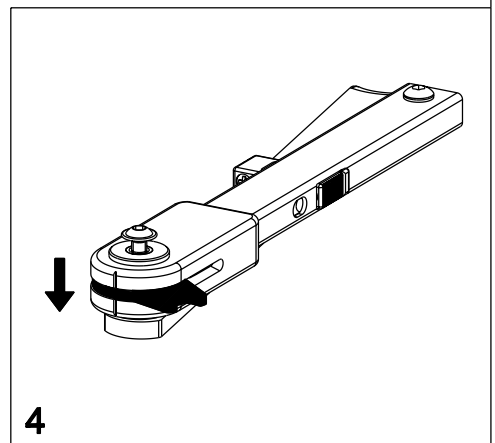
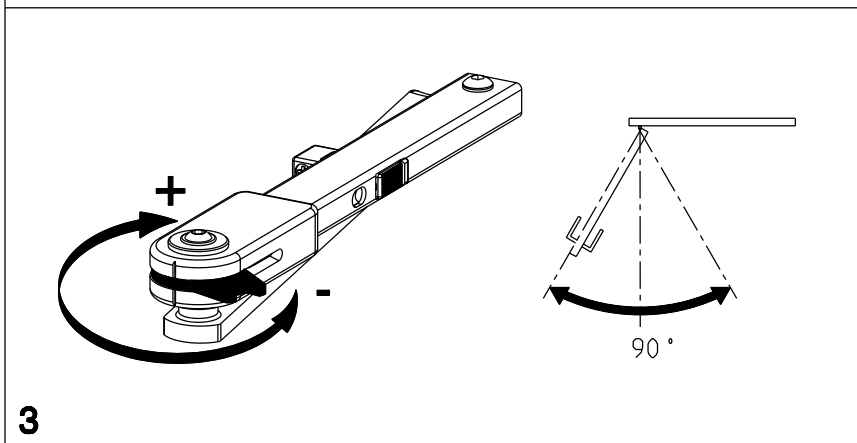
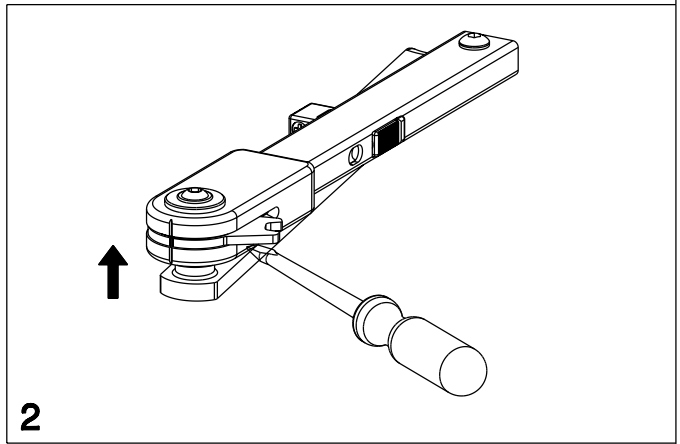
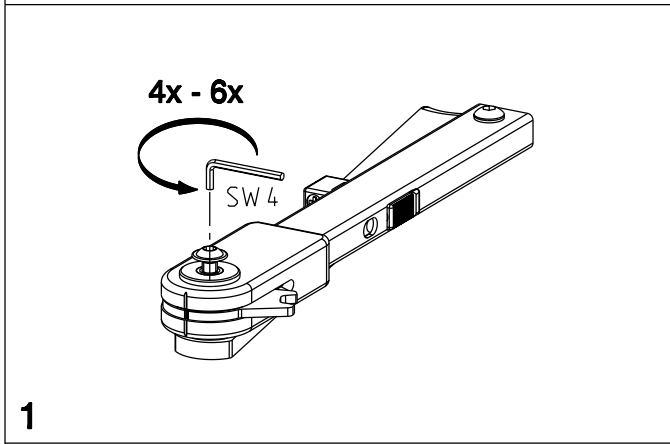
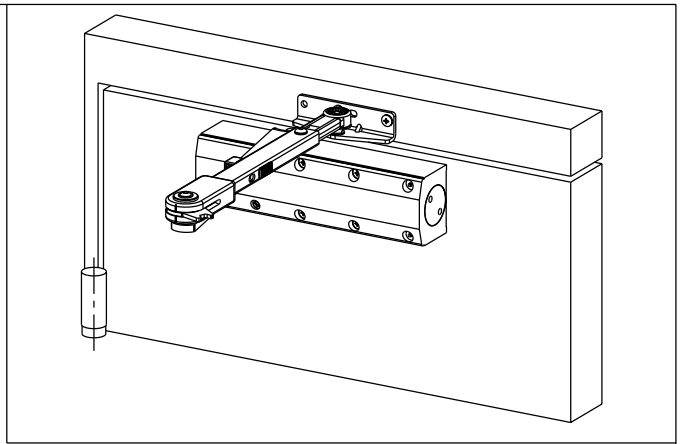
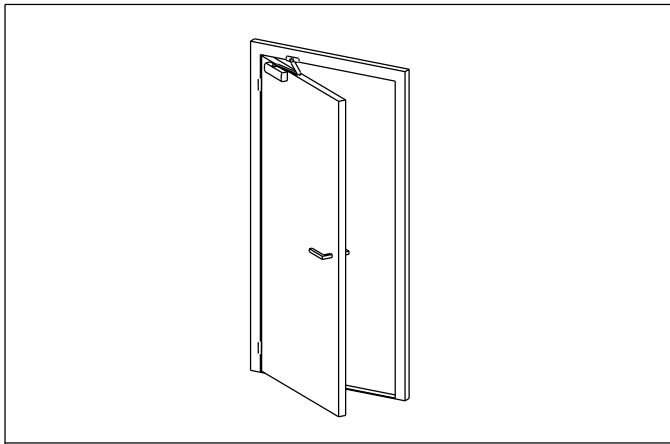


Proprietary rights apply in accordance with ISO 16016.

Montageanleitung/ assembly instructions

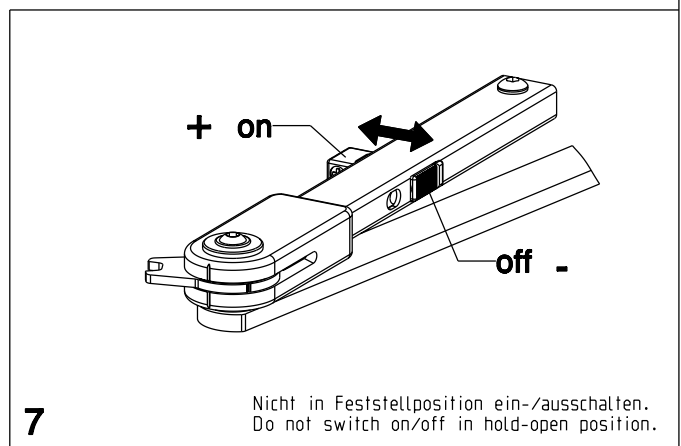
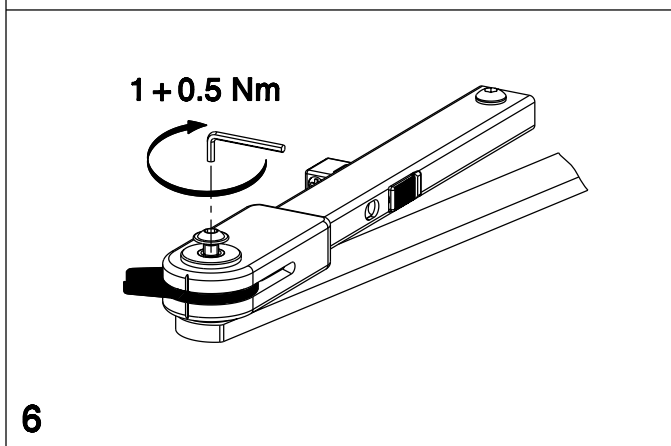
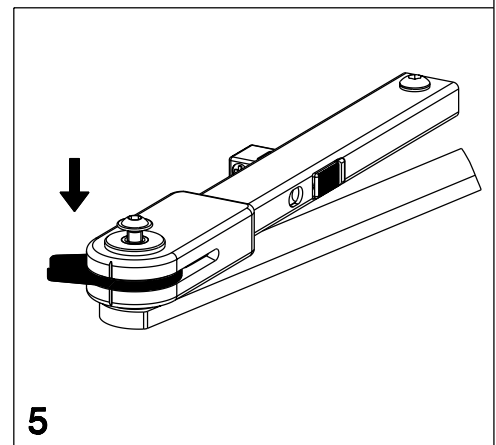
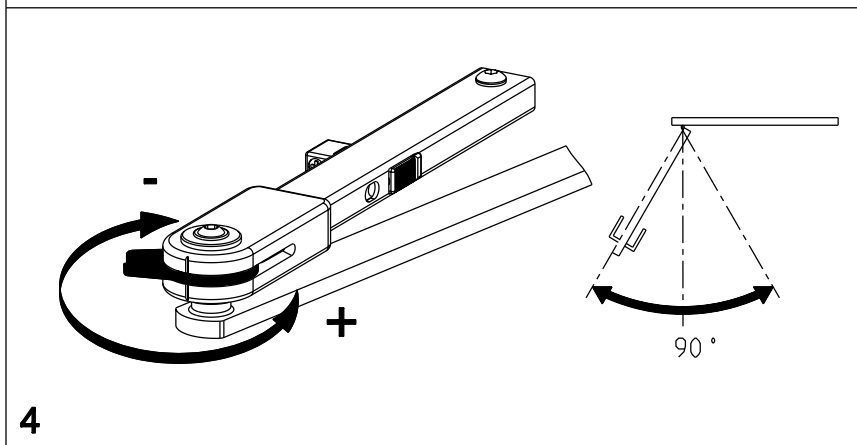
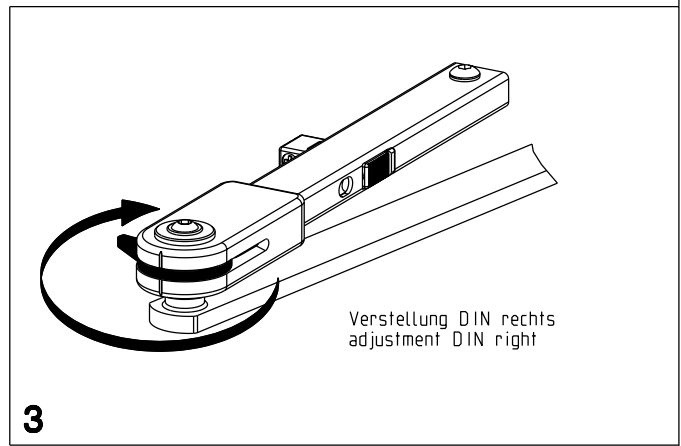
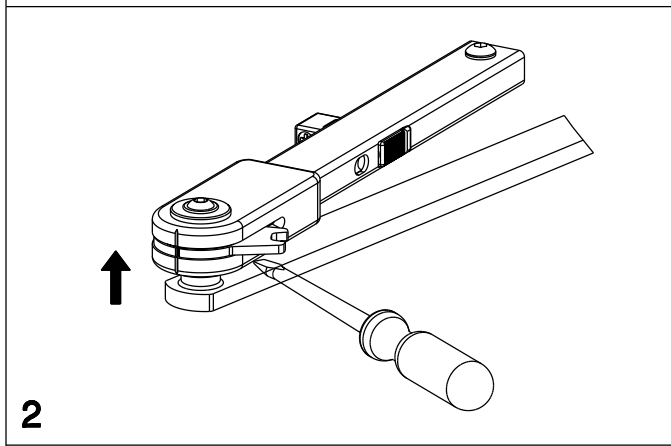
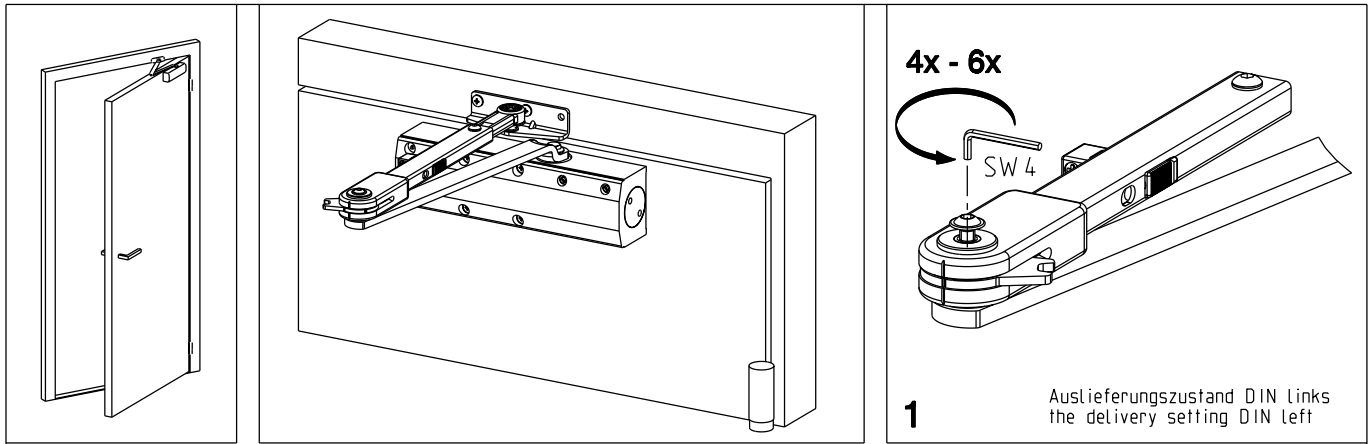
20100423



Nicht in Feststellposition ein-/ausschalten.
Do not switch on/off in hold-open position.

Description						
Feststellgestänge E/A (ein-/aus) DIN L, DCL 80 K-17456-01						
-						
Hold open arm (on/off switchable) DIN L, DCL 80 K-17456-01						
	Release No.	Level	released_		Scale	Modification
	--	Ver.	--	Wi	%	2
	Mod. No. G24616	Draft	18.10.10	Se		Drawing No. 0-45789-PI-0-0
Replacement for M-00088-01						Size 4
						Sheet 1/2





Description

Feststellgestänge E/A (ein-/aus) DIN R, DCL 80 K-17456-01

Hold open arm (on/off switchable) DIN R, DCL 80 K-17456-01



Release No.
--
Mod. No.
G24616

Level
Ver.
Draft

released_
--
18.10.10

W i
Se

Scale
%

Modification
2
Drawing No.

0-45789-PI-0-0

Size
4
Sheet

2/2

Replacement for M-00088-01