

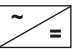



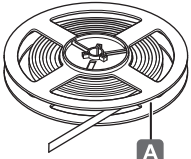
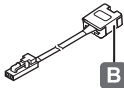


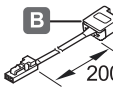
LED 3013 (3.5 A / 20 AWG)
LED 3015 (3.5 A / 20 AWG)

833.76.230 833.76.242
 833.76.231 833.76.250
 833.76.232 833.76.251
 833.76.240 833.76.252
 833.76.241

732.26.257

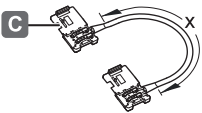
24 V System	K	W	T _A	 mm	 mm	
833.76.230	3000 K	16 W/m	-20 °C – +35 °C -4 °F – +95 °F	5000 x 10 x 1.3	≥ 20 x 11.3	
833.76.231	4000 K					
833.76.232	6000 K					
833.76.250	2700 K	15 W/m				
833.76.240	3000 K					
833.76.251						
833.76.241	4000 K					
833.76.252	6000 K					



B 833.77.759

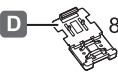
2000



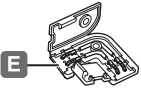
C

x

x	
50	833.77.814
500	833.77.815
1000	833.77.816
2000	833.77.817

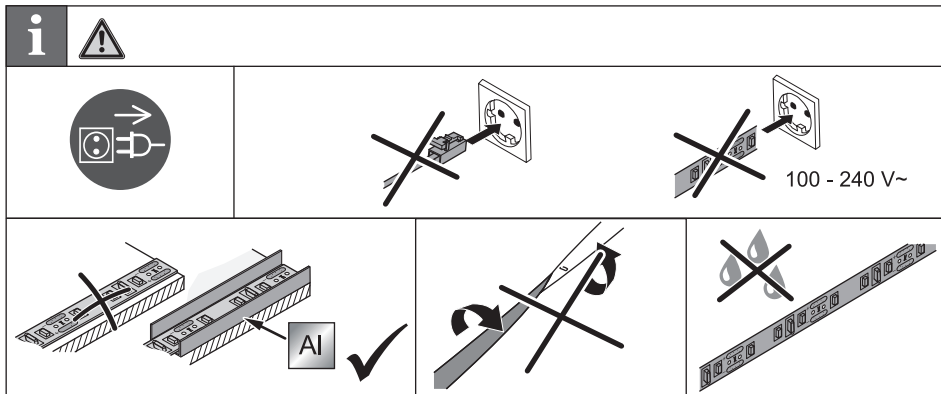


D 833.77.760



E 833.77.762

HDE 07/2017



1

$X_1 + X_2 + \dots + X_n \leq X$

i

24 V / 20 W		
	x_n [m]	X [m]
LED 3013	1.000	1.000
LED 3015	1.200	1.200

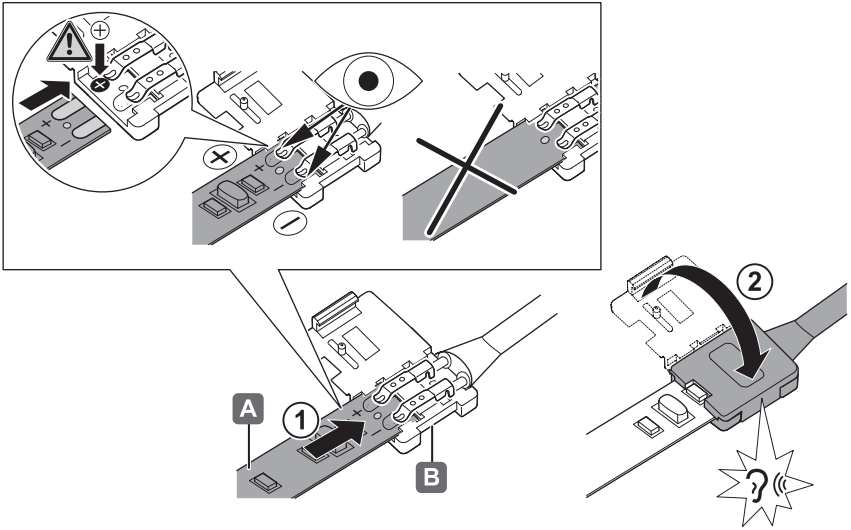
24 V / 40 W		
	x_n [m]	X [m]
LED 3013	2.200	2.200
LED 3015	2.400	2.400

24 V / 90 W		
	x_n [m]	X [m]
LED 3013	4.400	5.000
LED 3015	4.800	5.400

732.26.257

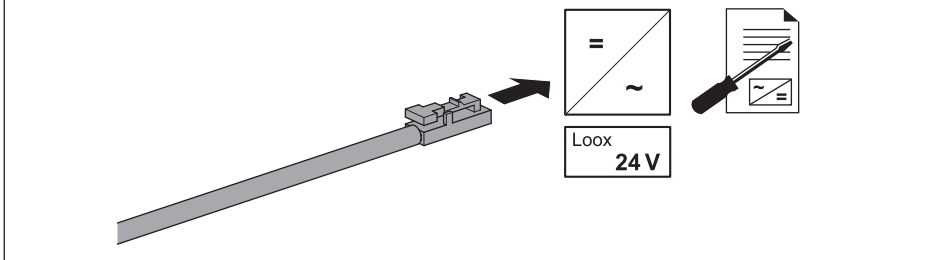
HDE 07/2017

2



732.28.257

3

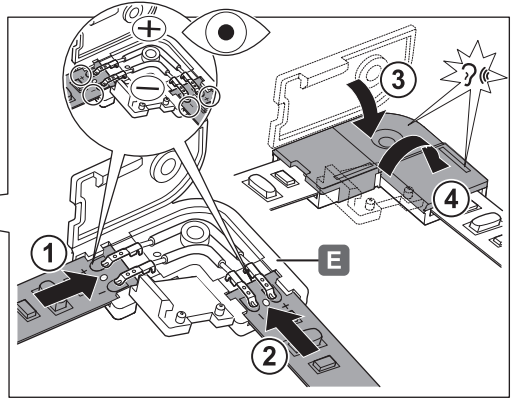
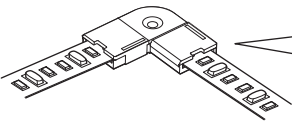
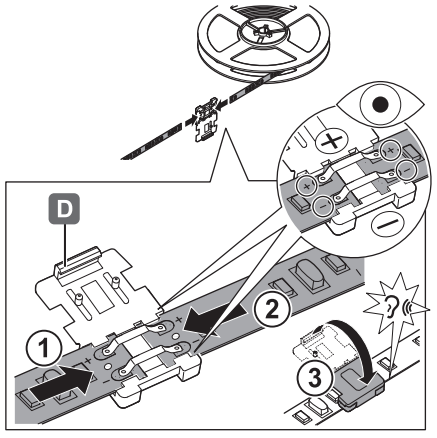
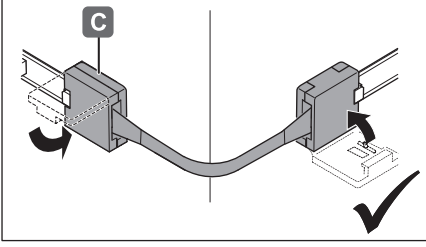
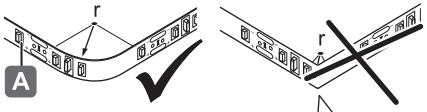


HDE 07/2017

+

$r \geq 30 \text{ mm}$

$r < 30 \text{ mm}$



732.26.257

HDE 07/2017