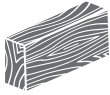




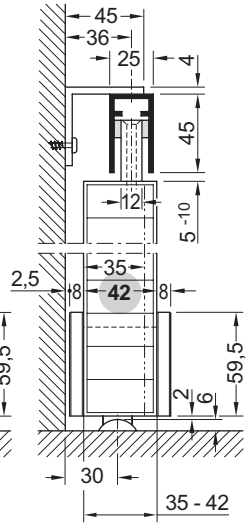
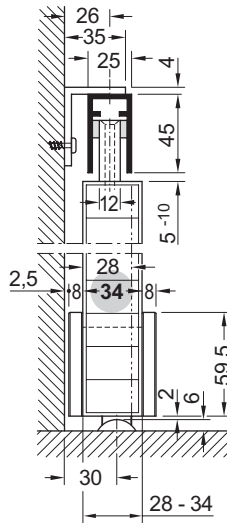
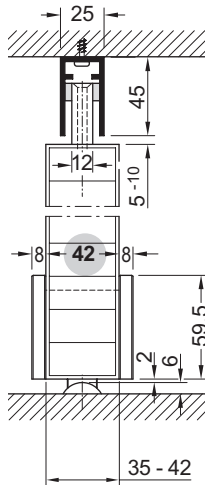
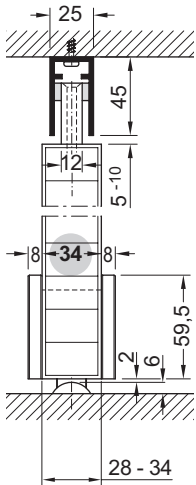
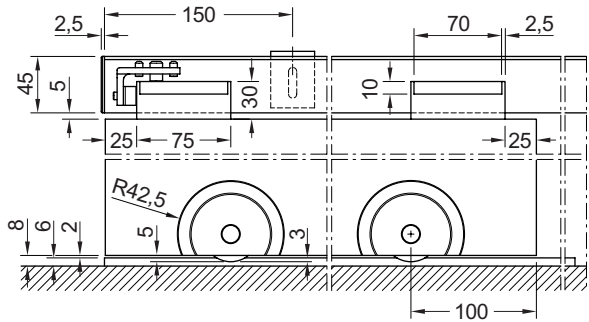
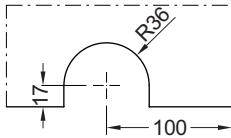
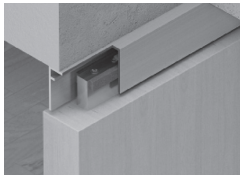
Slido D-Line802 150T

941.58.003



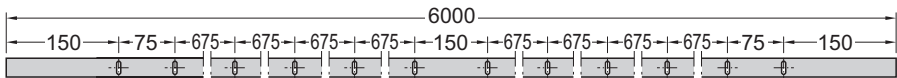
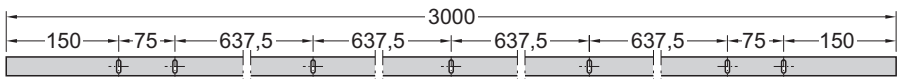
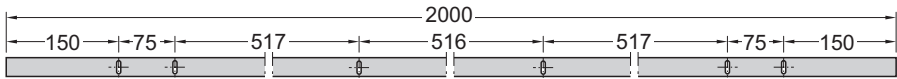
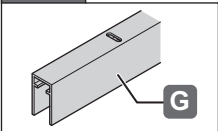
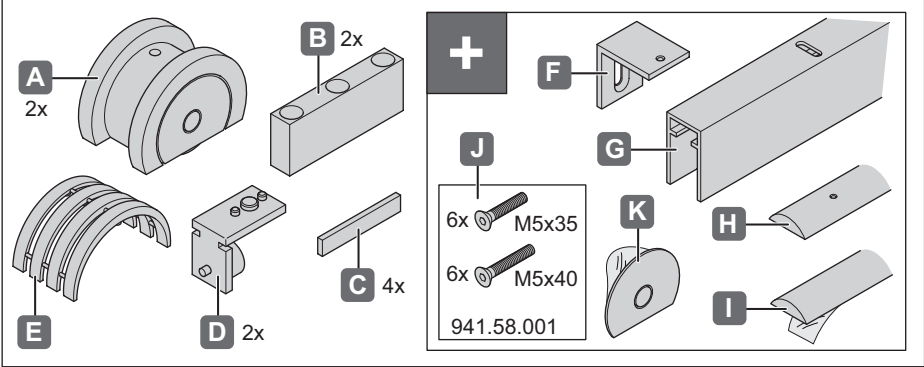
i

mm



732.29.812

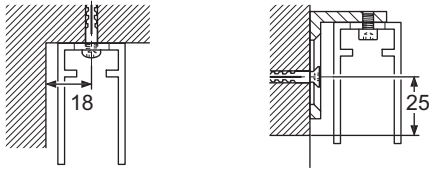
HDE 08.04.2022



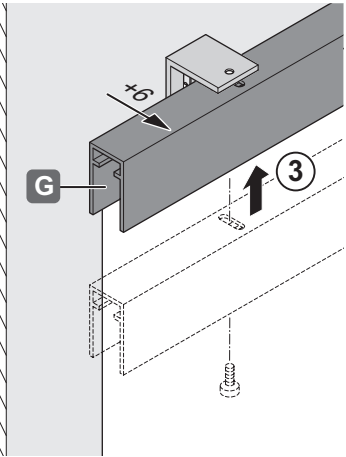
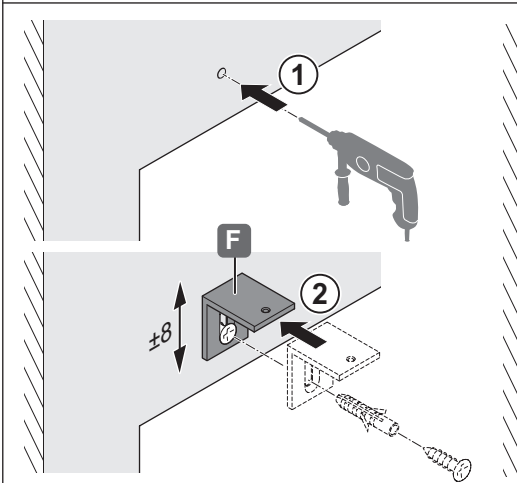
732.29.812

HDE 08.04.2022

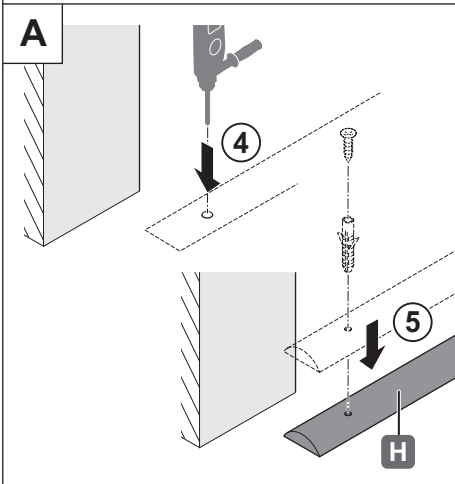
1



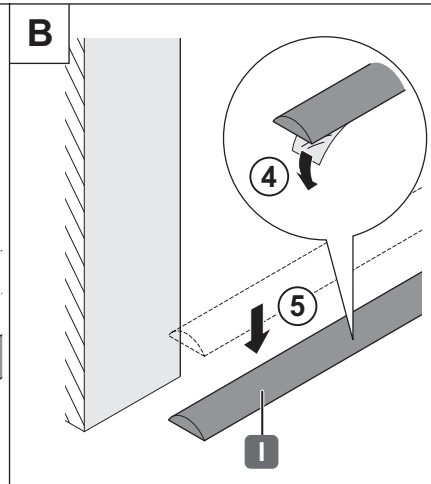
732.29.812



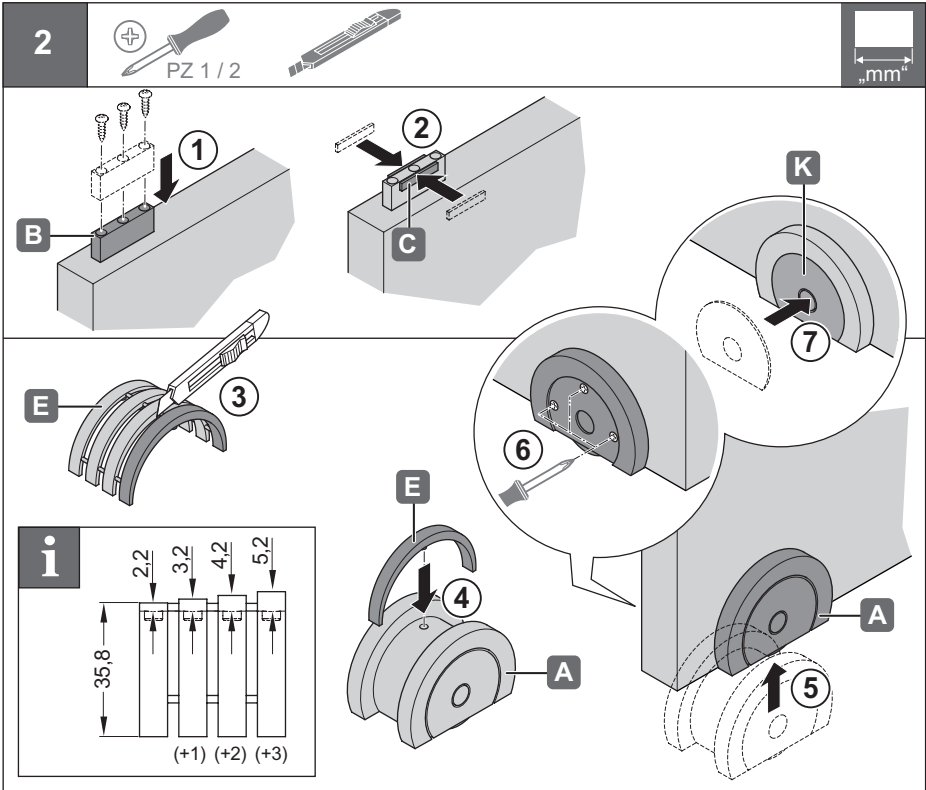
A



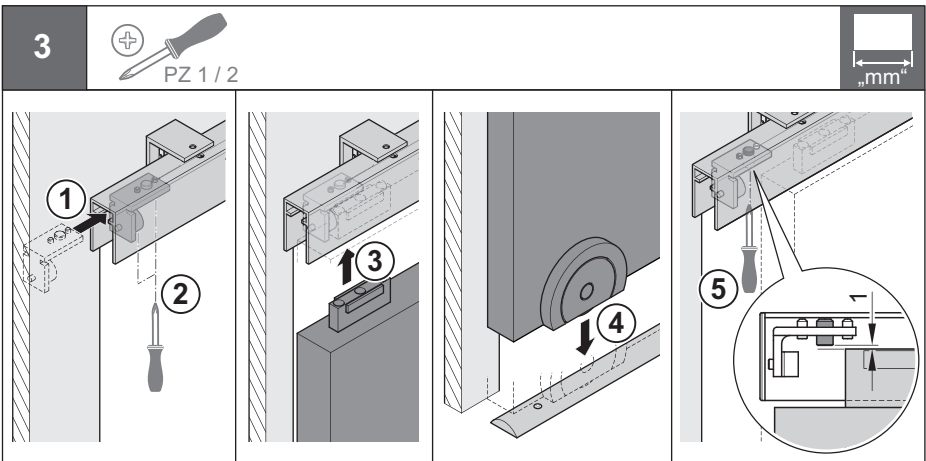
B



HDE 08.04.2022



732.29.812



HDE 08.04.2022